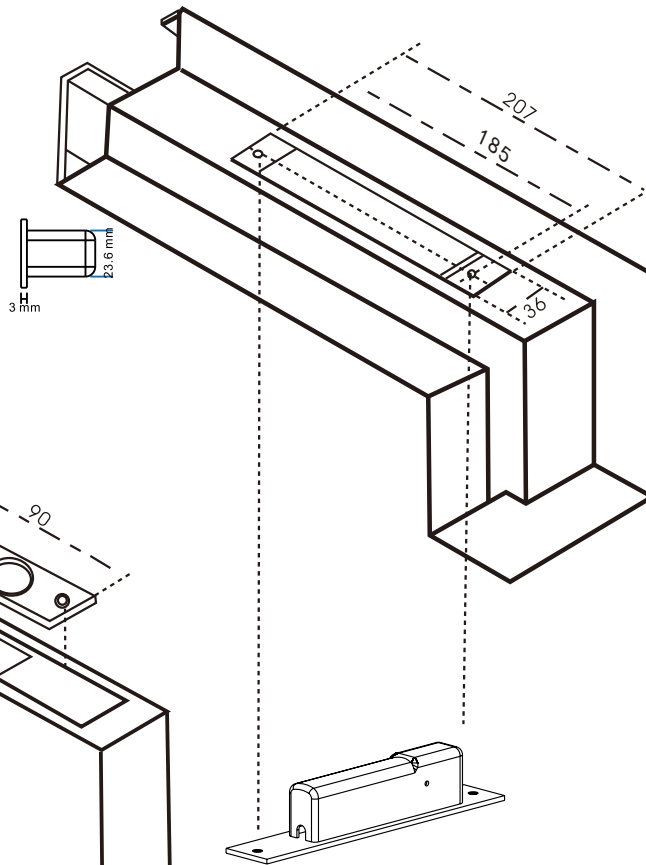
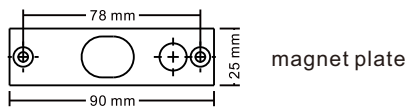
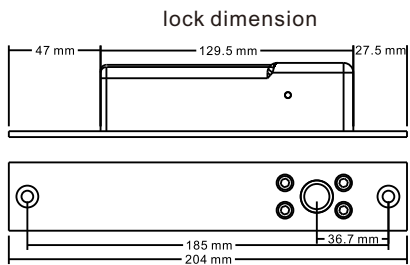


Standard Low Temperature Electric Bolt Lock



Standard Low Temperature Electric Bolt Lock

Voltage: DC12V-DC24V

Current (DC12V): start current 1A;
standby 110mA

Wires Definitions: red - 12VDC +
black - 12VDC -

Coil type: pure copper coil, ultra-low temperature continuous work

Fail safe type

Smart PCB controller, MOV surge absorption circuit protection

Provides reverse current protection

Bolt: SUS 304 solid stainless steel

Install the hole size: 208mm Decorative plate size: 215mm(L)x41mm(W)x0.7mm(H)

Decorative plate size: 215mm(L)x41mm(W)x0.7mm(H)

Lock face plate size: 204mm(L)x35mm(W)x3mm(H)

Advantage

- 1: Patented product
- 2: All metal mechanical structure, safe & durable
- 3: Pure copper coil, ultra-low temperature continuous work
- 4: Voltage DC12V-DC24V, use for all security, building, fire power supply system
- 5: With auto locking and tampering-resistant function
- 6: SUS 304 solid stainless steel bolt, anti-saw, anti-collision
- 7: With door sensor. The lock won't auto opening if remove the magnet plate after lock 2 mins.
- 8: 2 year quality warranty
- 9: Offered OEM service for the world famous brands