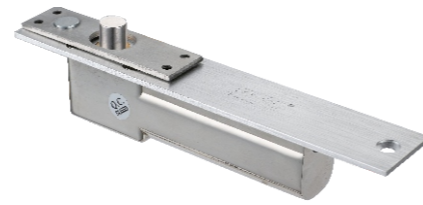


Ultralow Temperature Electric Bolt Lock

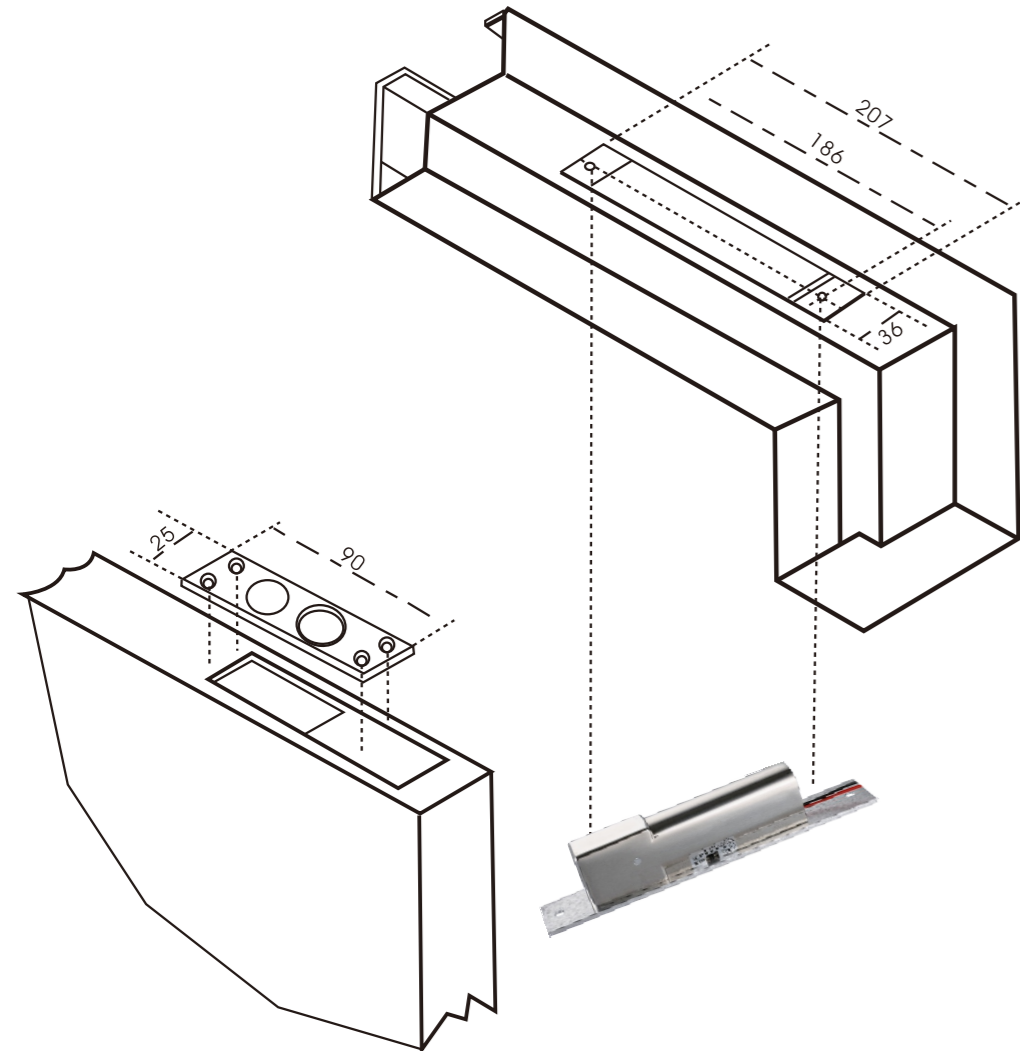


Technical Parameter

Voltage: DC12V-DC24V
 Current (DC12V): Standby 110mA
 Wires Definitions: Red—12VDC+; Black—12VDC-
 Yellow—push button switch
 White—door sensor COM; Blue—door sensor NO
 Coil type: pure copper coil, ultra-low temperature continuous work
 Fail safety type
 Time delay: 0/3/6sec; Unlock time delay: 6sec (If do not push the door after unlocking, again automatically lock)
 Provides reverse current protection
 Bolt: SUS304 solid stainless steel
 Install the hole size: 207mm(L)x36mm(W)
 (the depth of the hole is not less than 38mm)
 Decorative plate size: 215mm(L)x41mm(W)x0.7mm(H)
 Lock face plate size: 205mm(长)x 35(W)x3mm(H)

Advantage

- 1: Patented product
- 2: All metal mechanical structure, safe & durable
- 3: pure copper coil, ultra-low temperature continuous work
- 4: Wide voltage DC12V-DC24V design for all security, building, fire power supply system
- 5: With automatic locking function, tamper lock
- 6: SUS304 solid stainless steel bolt, anti-saw anti-collision
- 7: With 10sec door sensor detection function: the lock won't automatically open if remove the magnet plate after lock 10sec
- 8: 2 years warranty
- 9: Offered OEM service for the world famous brands



Installation Instruction

The following table are types of electric bolt lock and in accordance with the models identified openings paper, place the lock screws embedded position. (this table is a fully built-in installation)

	A	B	C	D	E
Standard	207	36	12	91	26
Safe	207	36	12	91	26
Multi-functional	207	36	12	91	26
Ball catch	207	36	12	101	36
Narrow	207	31	12	101	26

