

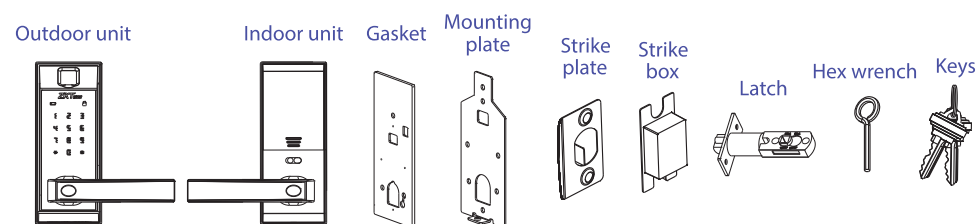
Installation Guide

AL10B & AL20B

Version: 1.2



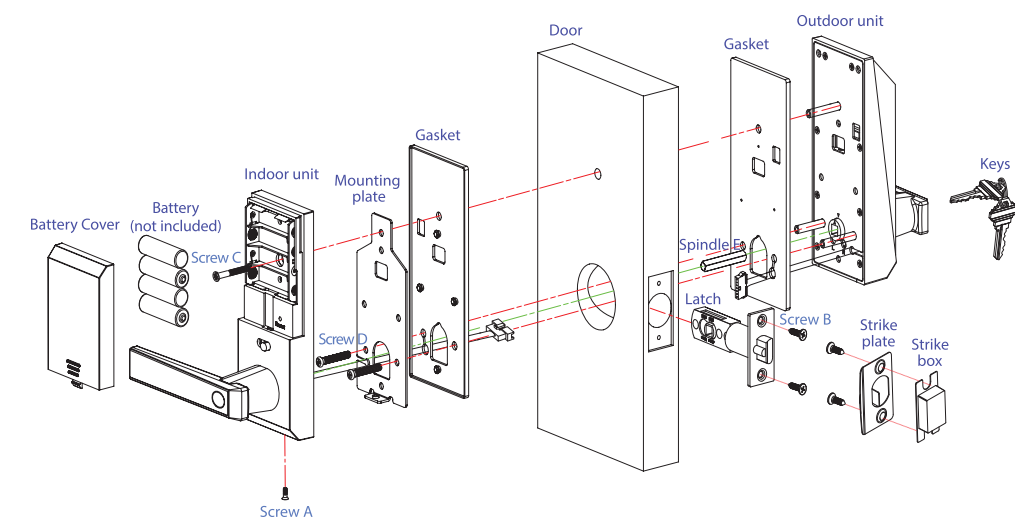
1. What's In the box



For door thickness	30-38mm	39-46mm	47-54mm
Screw A			
Screw B			
Screw C			
Screw D			
Spindle E			

Note: To ensure proper functioning of the lock, use the correct set of screws and spindle according to your door thickness.

2. Installation Diagram (AL20B)



1

2

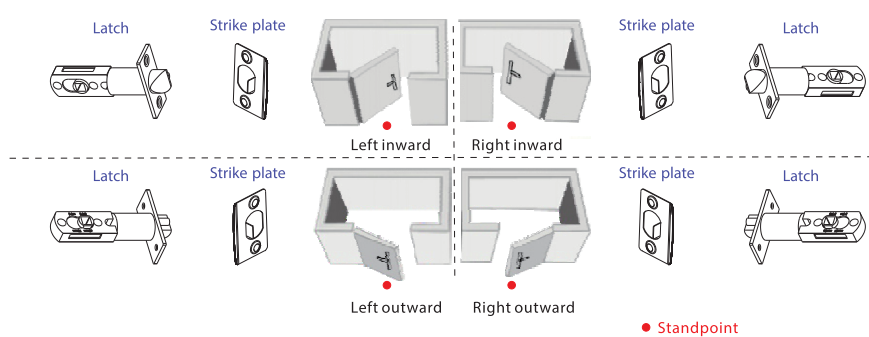
3. Installation steps

Important notes

❖ Please read all the instruction in this manual or call customer care before returning the product to the store.

Door opening direction recognition

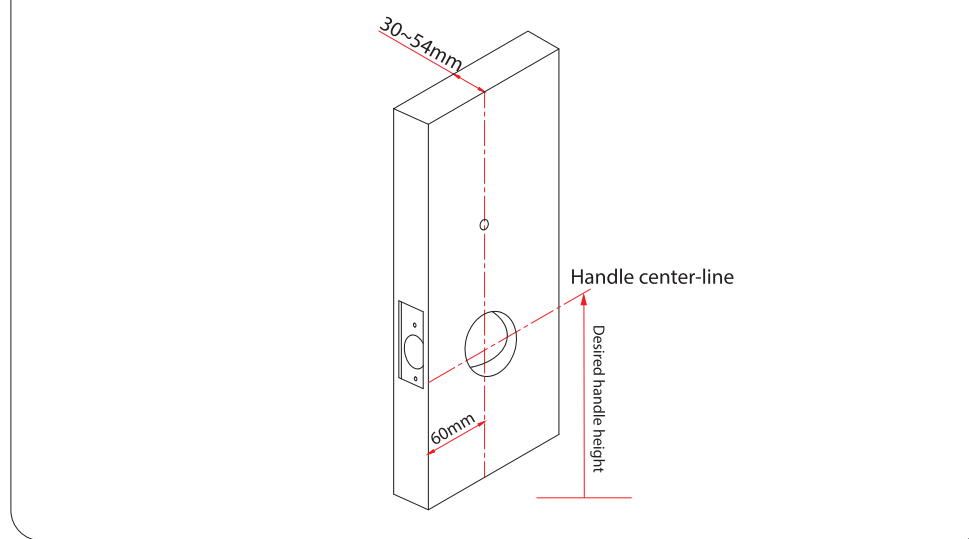
The handle of the door is determined by the swing (handing) direction of the door. Below is the graphical representation of handing in reference to your location outside the room.



3

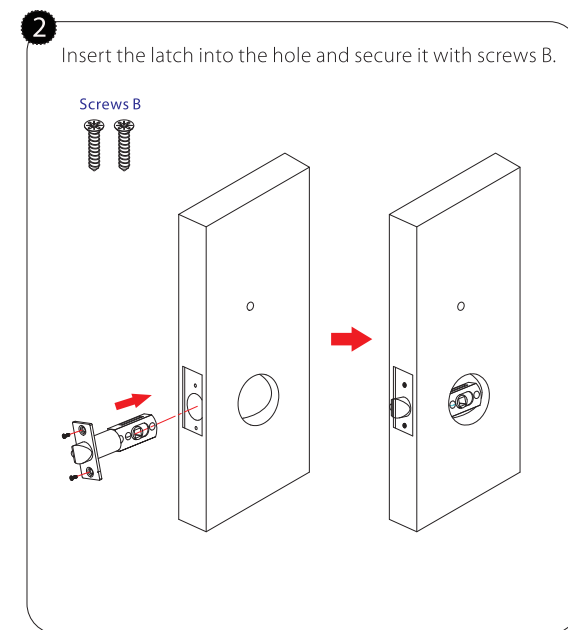
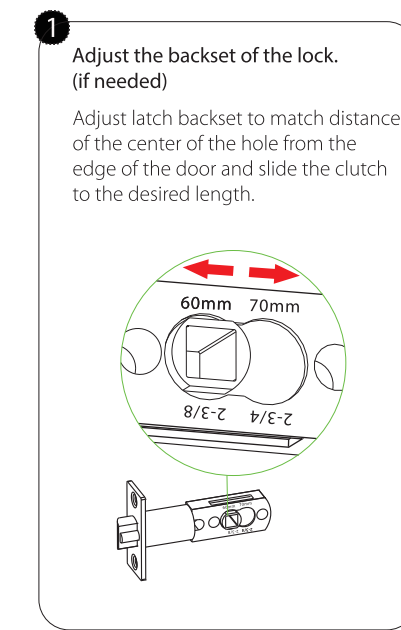
Drilling holes in the door.

1. Paste the installation template at a desired handle height.
2. Mark the holes and start drilling the holes.



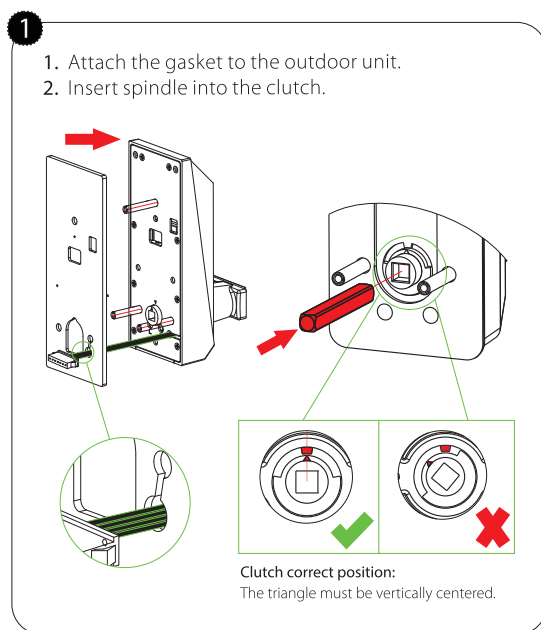
4

Installing the latch.

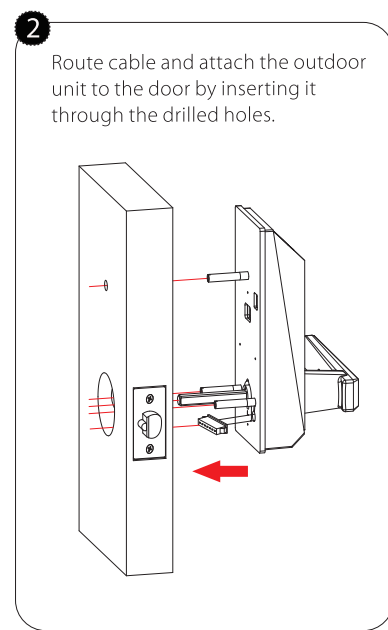


5

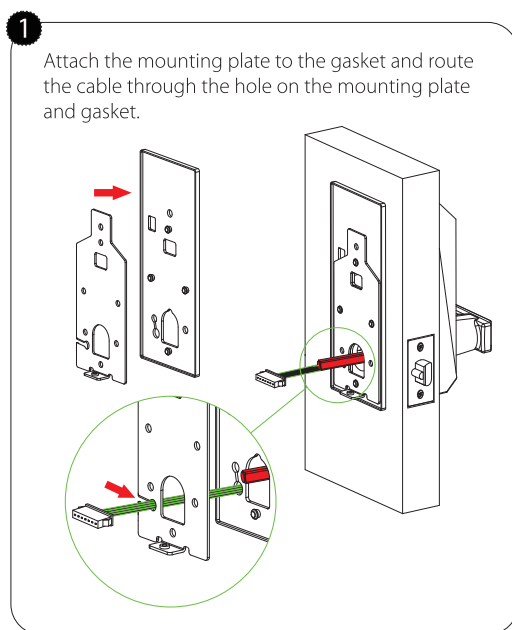
Installing outdoor unit on the door.



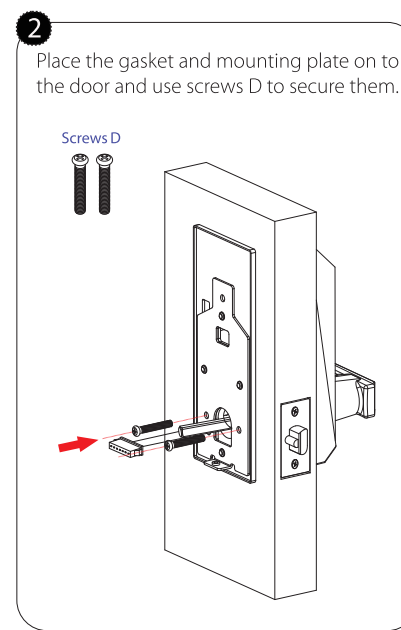
6



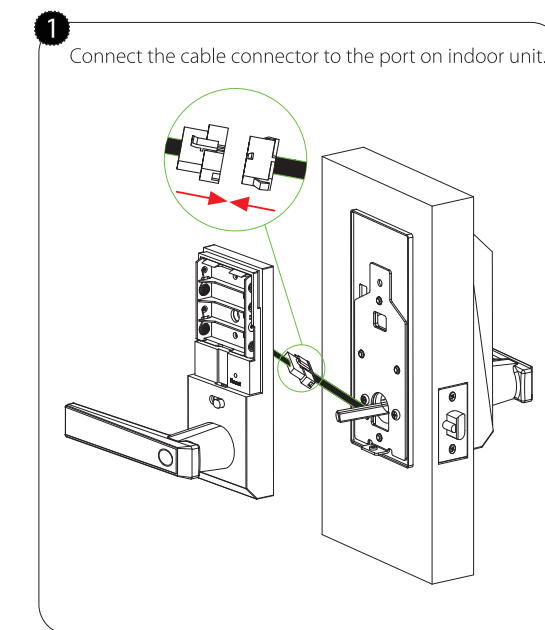
Installing mounting plate with gasket on the door.



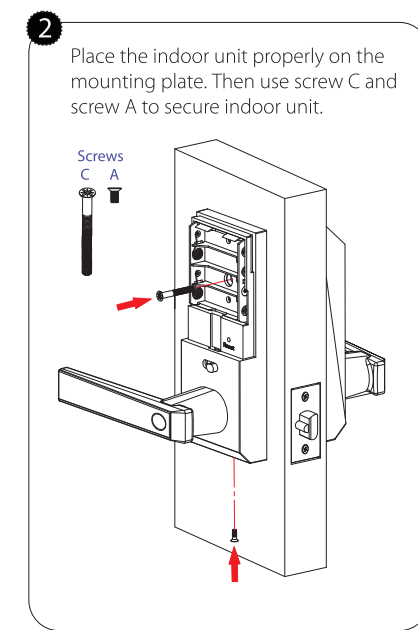
7



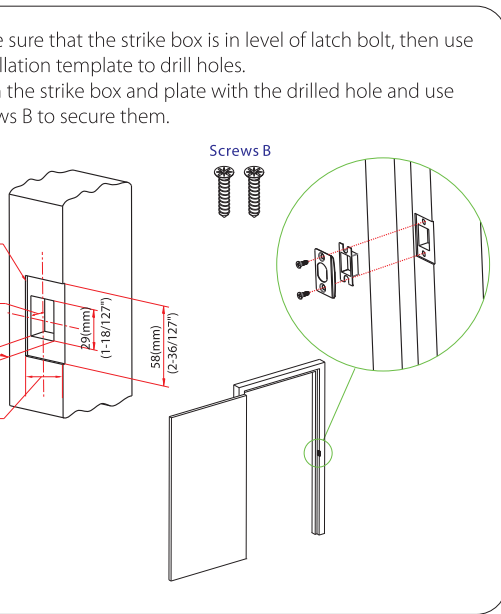
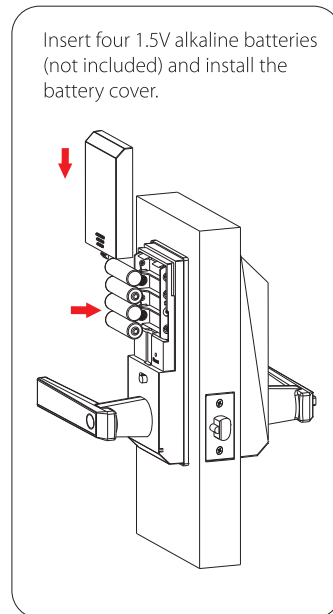
Installing the indoor unit.



8

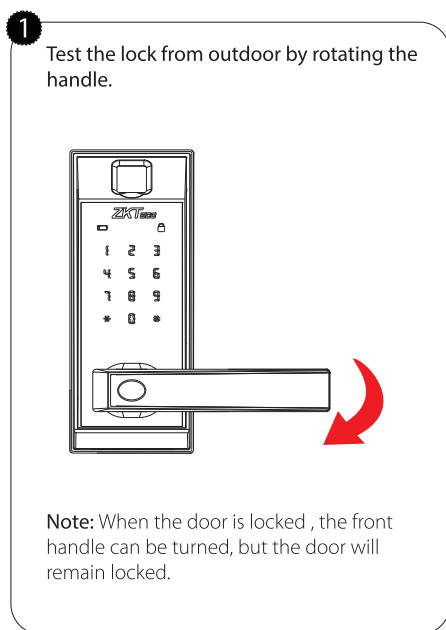


Insert batteries.

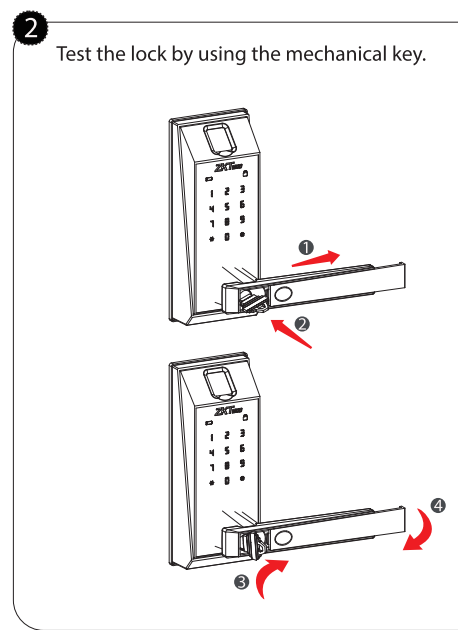


9

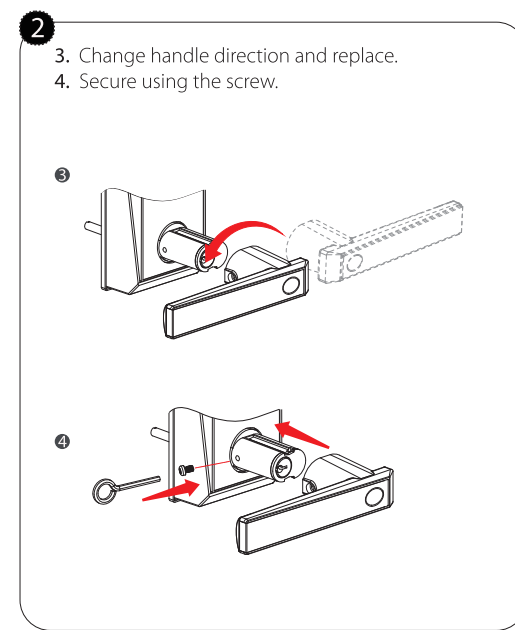
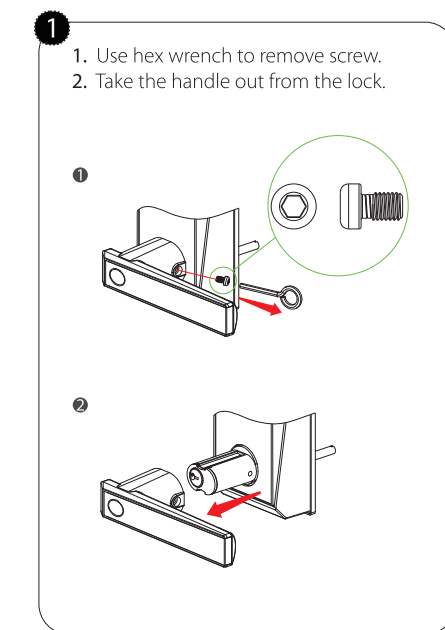
Testing the lock.



10



Changing Handle Direction.



11