

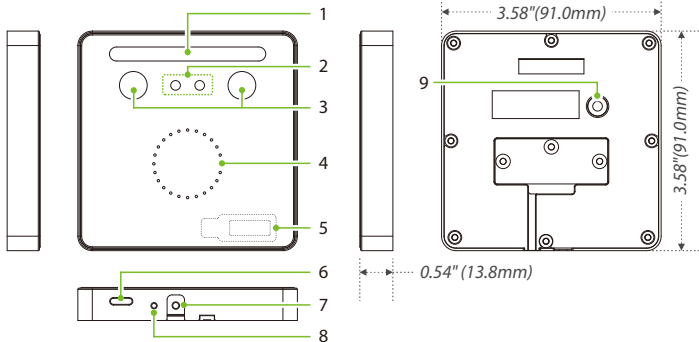
Quick Start Guide

KF1000 Series

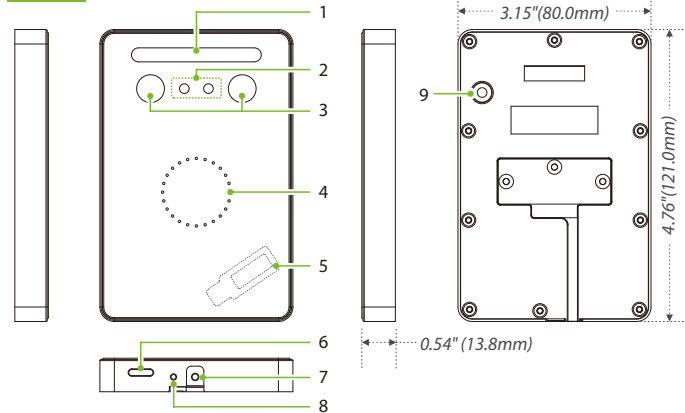
Version: 1.0

1. Product Overview

KF1100

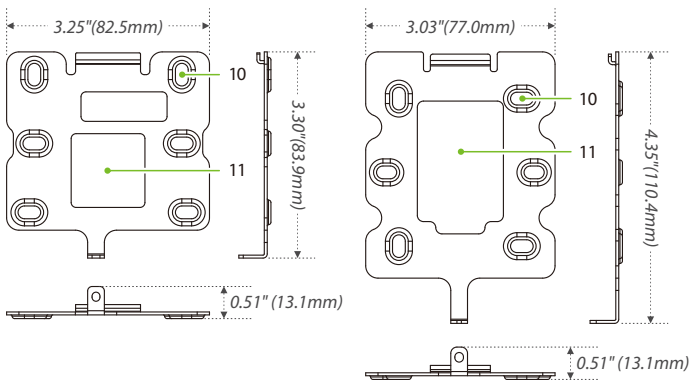


KF1200



Note: Features and parameters with ★ mark are not available in all devices.

Back Plate



No.	Discription	No.	Discription
1	Flash	6	Speaker
2	Camera	7	Tamper Switch
3	Near-Infrared Flash	8	Restart Button
4	LED Indicator	9	Reset Button
5	Receive Antenna	10	Mounting Hole
	Card Reading Area	11	Wiring Hole

2. Installation Environment



INSTALL INDOORS
ONLY



AVOID INSTALLATION
NEAR
GLASS WINDOWS



AVOID DIRECT
SUNLIGHT
AND EXPOSURE



AVOID USE OF ANY
HEAT SOURCE
NEAR THE DEVICE

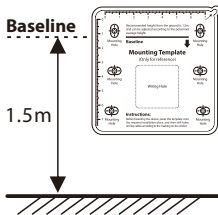
3. Device Installation

Install on the wall

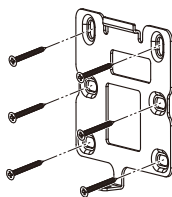
- ① Attach the mounting template sticker to the wall, and drill holes according to the mounting paper.
- ② Secure the back plate on the wall with the wall mounting screws.
- ③ After passing the wires through the wiring hole and connecting them to the device, and then attach the device to the back plate from top to bottom.
- ④ Fasten the device to the back plate with a security screw.

Note: The installation method of KF1200 is the same as that of KF1100. Only KF1100 is used as an example, and will not be repeated here again.

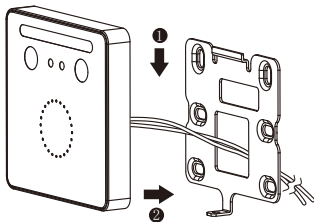
①



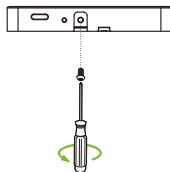
②



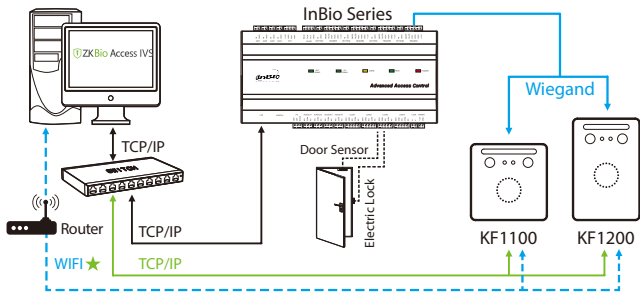
③



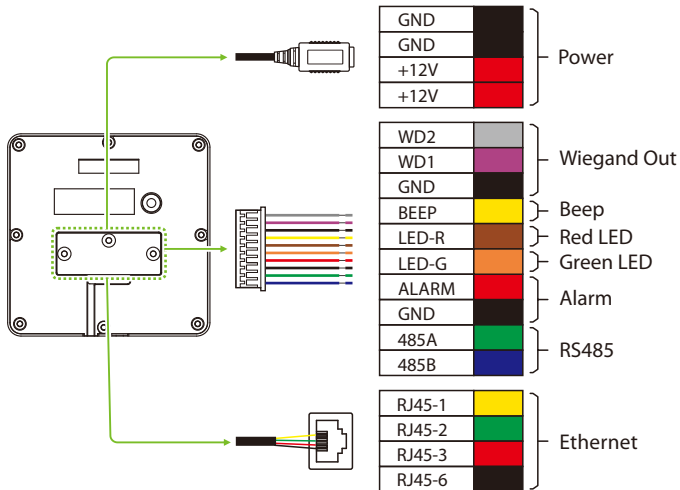
④



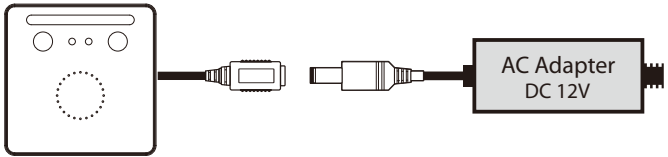
4. Standalone Installation



5. Terminal Block

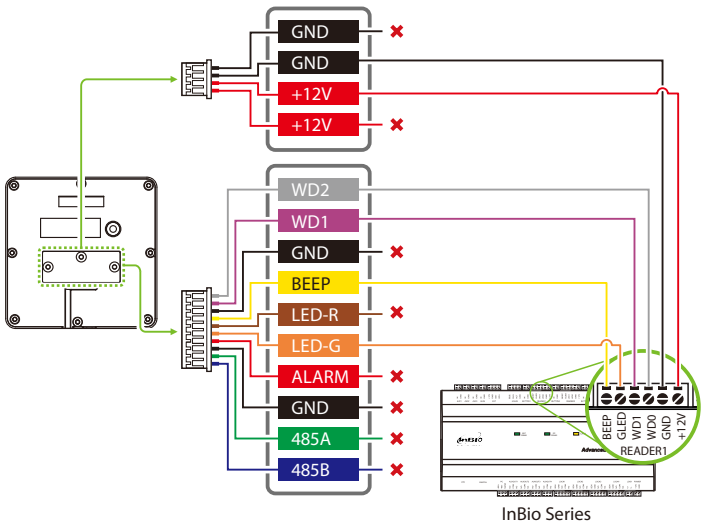


6. Power Connection

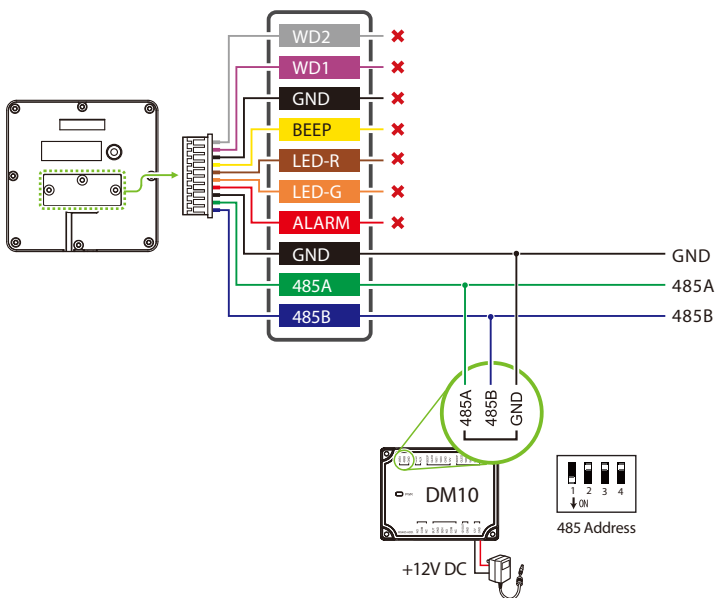


- Minimum AC adapter: **12V, 1.5A**, Recommended AC adapter: **12V, 3A**.
- Use an AC adapter with a higher current rating to share power with the other devices.

7. InBio Connection



8. DM10 Connection



Note:

1. You need to manually enable the DM10 function on the WebServer to access.
The path: **[Advanced Settings]** > **[Serial Comm]** > **[Serial Port]** > **[Dm10]**.
2. A KF1000 series only supports connecting one DM10.
3. Set the 485 address of DM10 to 1.
4. Each device requires a separate power supply.
5. For more details, please refer to the User Manual.

9. Ethernet Connection

Connect the device and the computer software over an Ethernet cable.
As shown in the example below:



Default IP address: 192.168.1.201
Subnet mask: 255.255.255.0



IP address: 192.168.1.130
Subnet mask: 255.255.255.0

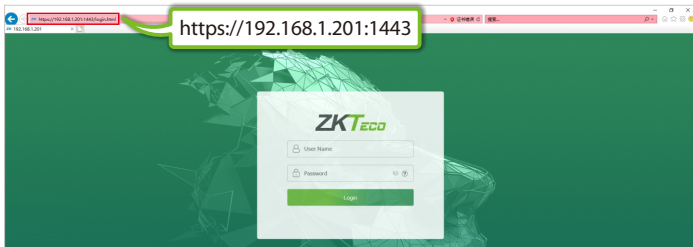
On the WebServer page, click [**Advanced Settings**] > [**COMM.**] > [**IP Address**] to change the IP address and then click [**Confirm**].

Note: In LAN, the IP addresses of the server (PC) and the device must be in the same network segment while connecting to the ZKBioAccess IVS software.

10. Login to the WebServer

After the device is powered on, connect the device using a cable network to access the WebServer by entering the IP address and the server port in the address bar of your browser. The IP address is set as: https://device IP address: port. By default, the port is **1443**. For example: https://192.168.1.201:1443

User name: **admin** Password: **admin@123**



Note: After logging in for the first time, the user needs to change the original password and then log in again before it can be used.

11. Quick Start

User Registration → User Authentication → Verified → View Records

1. User registration

Method 1: Registering on the WebServer

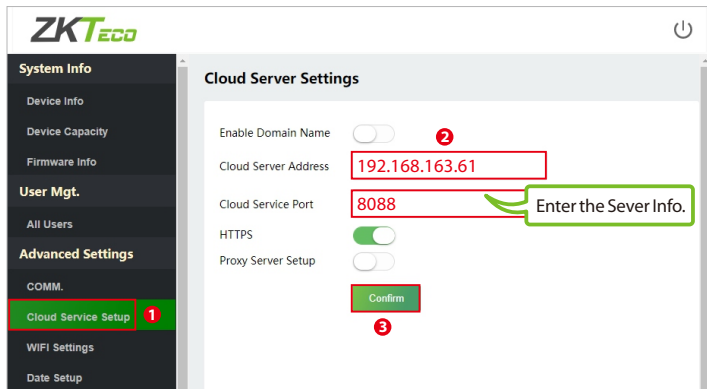
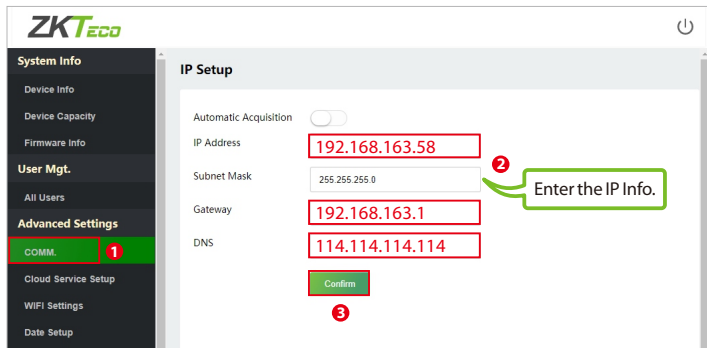
Click [**User Mgt.**] > [**All Users**] > [**New User**] to register a new user on the WebServer. Enter the User ID, Name, Password, Card, setting user role and access control role.

The screenshot shows the ZKTeco web interface. On the left is a navigation menu with categories: Device Info, Device Capacity, Firmware Info, User Mgt., Advanced Settings, COMM., Cloud Service Setup, WIFI Settings, Date Setup, System, Serial Comm, Face, Autotest, Wiegand Setup, Device Management, and Update Firmware. The 'User Mgt.' section is expanded, and 'All Users' is highlighted with a red box and a red circle containing the number 1. A callout box with a green border and the text 'Enter the User Info.' points to a form titled 'Change User Info'. This form contains fields for User ID (value: 2), Name (value: Mick), Rights (value: Normal User), Password (empty), Card Number (value: 1228076), and Access Control Role (value: 1). A green 'Register' button is located to the right of the form. Below the form are two buttons: 'Confirm' (highlighted with a red box and a red circle containing the number 3) and 'Back'. Below the 'Change User Info' section is another section titled 'Online Registration' with a 'Face' label and a 'Register' button (highlighted with a red box and a red circle containing the number 4). A callout box with a green border and the text 'Enroll Face on the device.' points to this button.

After entering the basic information of the user, click [**Confirm**], and then select the face and click [**Register**]. Follow the device prompts to face the camera and record the face until the LED indicator turns green.

Method 2: Registering on the software (ZKBioAccess IVS)

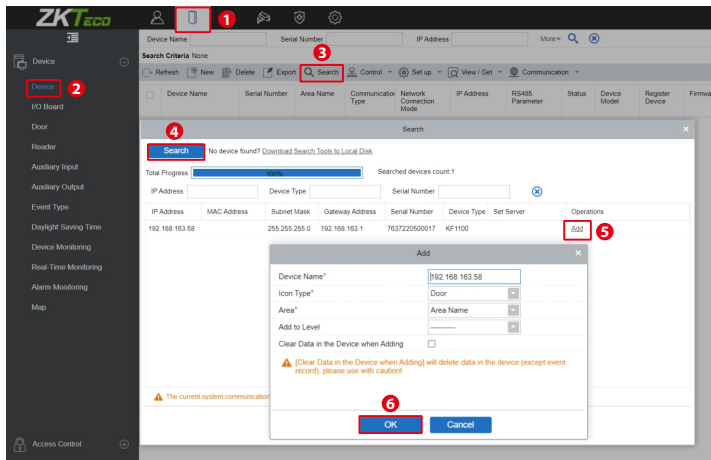
1. Click [**Advanced Settings**] > [**COMM.**] > [**IP Address**] to set the IP address and then click [**Advanced Settings**] > [**Cloud Service Setup**] to set cloud service address on the WebServer. As shown in the figure below.



Cloud Server Address: This is the IP address after the software installation.

Cloud Service Port: Default is 8088.

2. Click **[Access]** > **[Device]** > **[Device]** > **[Search]** to search the device on the software. When an appropriate server address and port is set on the device, the searched devices are then displayed automatically.



3. Click **[Add]** in an operation column, a new window will pop-up. Select Icon Type and Area from each dropdowns and click **[OK]** to add the device.

4. Click **[Personnel]** > **[Person]** > **[New]** and fill in all the required fields to register new users in the software. **Note:** The card number must be entered for use with the inBio series controllers.

5. Click **[Access]** > **[Device]** > **[Device]** > **[Control]** > **[Synchronize All Data to Devices]** to synchronize all the data to the device including the new users.

For more details, please refer to the ZKBioAccess IVS User Manual.

2. User Authentication

The terminal can detect the face within a range of **0.3 to 1.5** metres. When the device senses a change in external brightness, it changes to the face verification interface automatically and when the device indicator turns green, the verification method is successful.

3. View records

View records on the software

Click **[Access]** > **[Reports]** > **[AllTransactions]** on the software to view the records.

12. WIFI Settings★

Click **[Advanced Settings]** > **[WIFI Settings]** to enable the Wi-Fi function, set SSID and enter the password. Until the connection status shows “Connected”, which indicates that the WIFI connection is successful.

The screenshot displays the ZKTeco web interface for configuring a WiFi network. The left sidebar shows the navigation menu with 'WIFI Settings' highlighted as item 1. The main content area is titled 'Add a WIFI network' and contains the following fields:

- WIFI:** A toggle switch (item 2) that is currently turned on.
- SSID:** A text input field containing 'KF1000 WIFI' (item 3).
- Network mode:** A dropdown menu set to 'INFRA'.
- Authentication type:** A dropdown menu set to 'WPA2PSK'.
- Encryption mode:** A dropdown menu set to 'NONE'.
- Password:** A text input field with masked characters (item 4).
- Connection status:** A field showing 'not connected' (item 6). A green callout bubble points to this field, indicating the target status is 'Connected'.
- Confirm:** A green button (item 5) at the bottom of the form.

13. Factory Reset

If you forget the WebServer password, you can restore the factory settings by pressing and holding the reset button for **5** seconds, and then logging in again with the initial password.

Note: This function does not have any clear registered user data.

ZKTeco Industrial Park, No. 32, Industrial Road,
Tangxia Town, Dongguan, China.

Phone : +86 769 - 82109991

Fax : +86 755 - 89602394

www.zkteco.com

