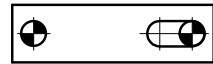
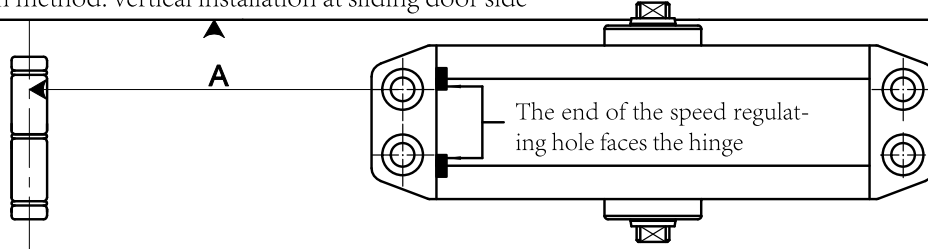


STANDARD INSTALLATION INSTRUCTIONS FOR DOOR CLOSER



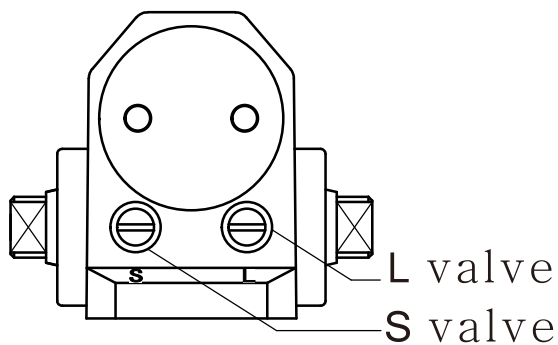
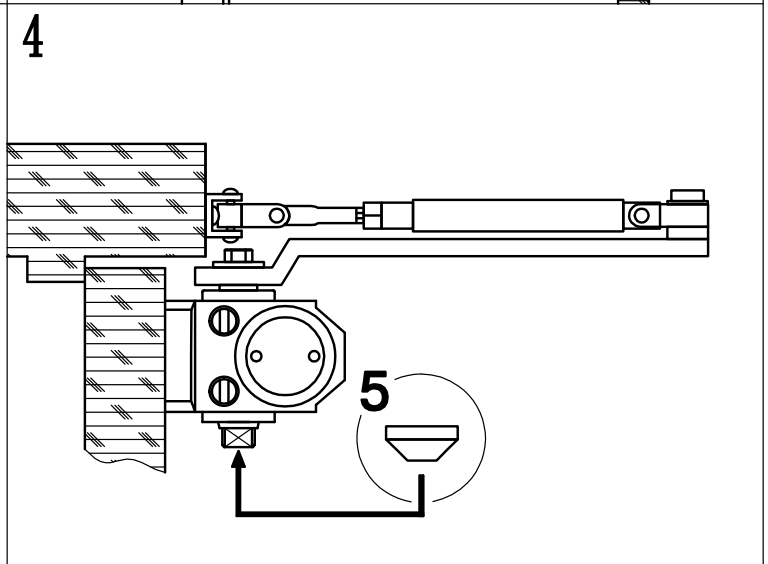
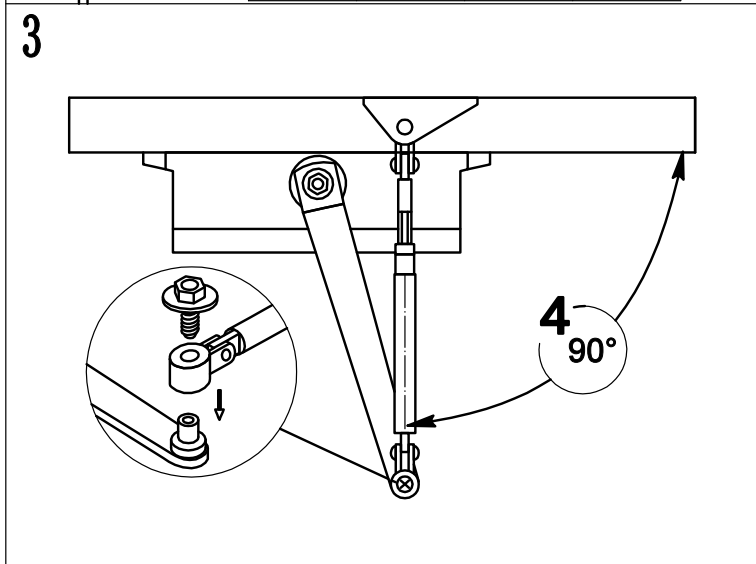
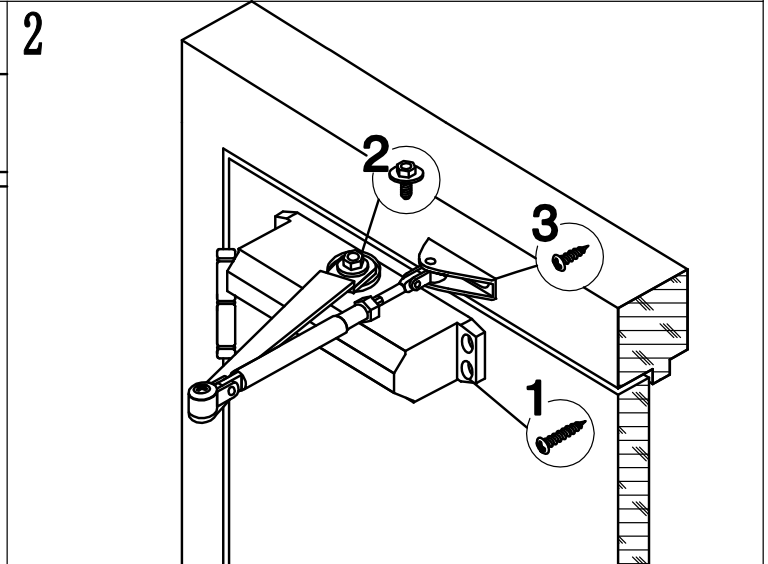
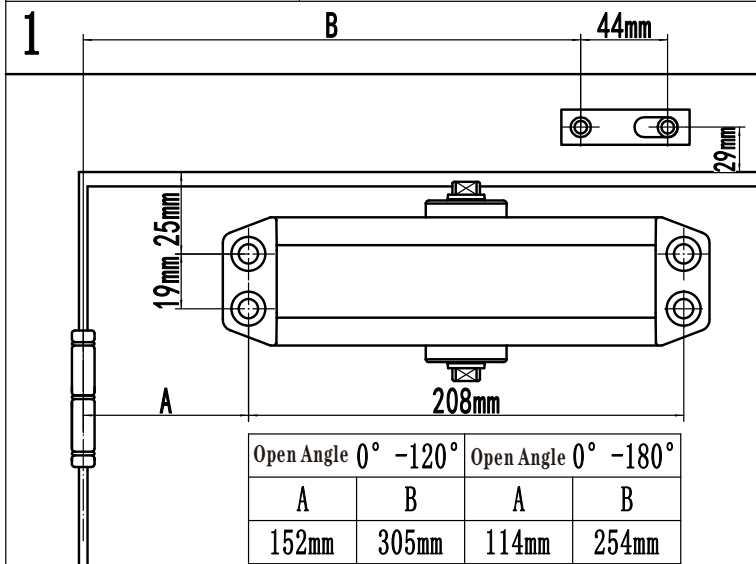
Standard installation method: vertical installation at sliding door side

Right hand door installation diagram left hand door installation size is the same



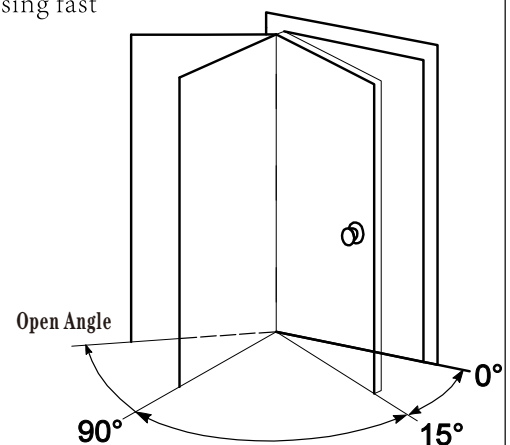
Reminder:

Adjust the closing time: adjust the closing time from 90°-0° to 4s-6s, and the user can extend the time appropriately if there are old people or children.



Shut down slowly

Closing fast



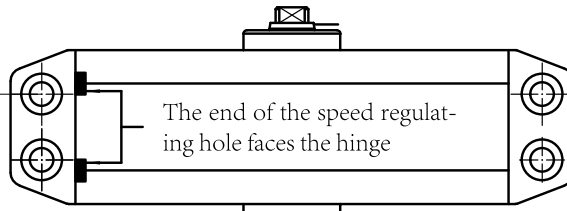
Warning user:

- (1) do not screw the governor valve out of the main body of the door closer to avoid oil leakage, resulting in unstable operation of the product.
- (2) when closing the door, let the door close freely under the action of the door closer. Do not apply additional force, otherwise the door closer may be damaged.
- (3) please install according to the use scope and size of this manual.



STANDARD INSTALLATION INSTRUCTIONS FOR DOOR CLOSER

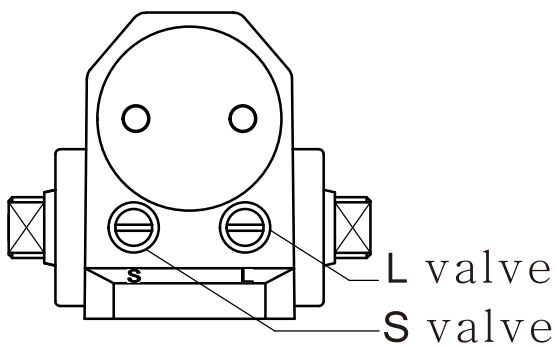
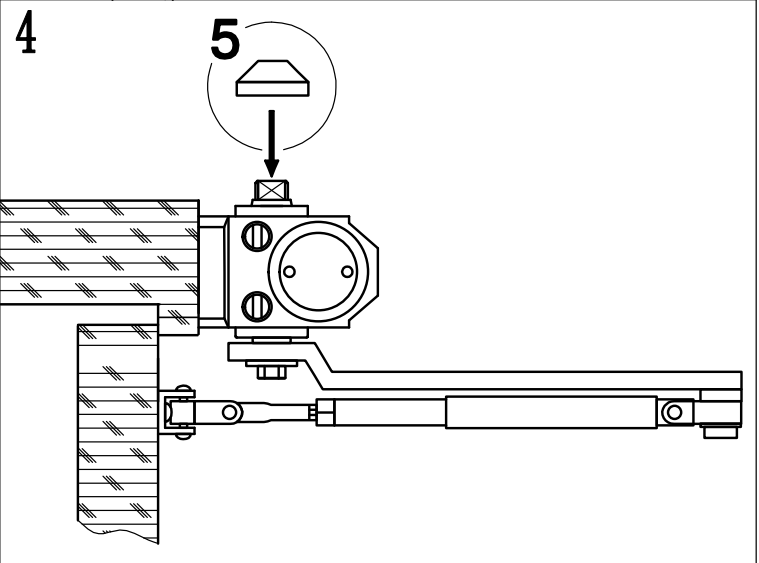
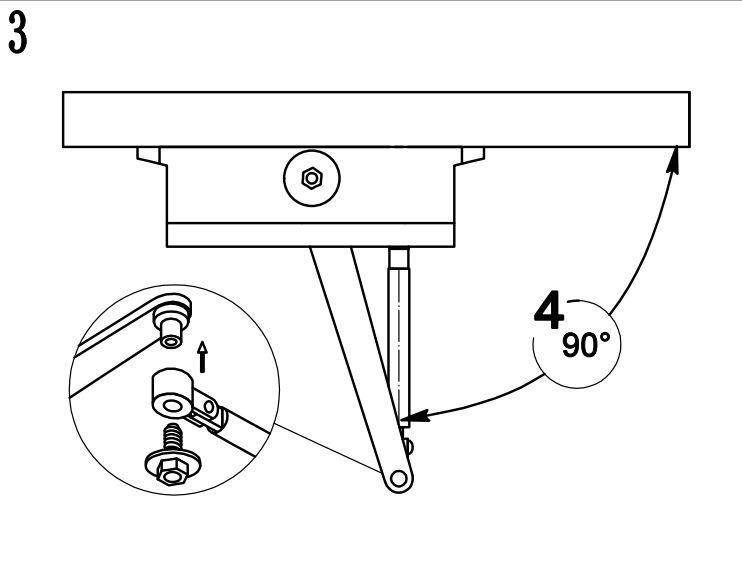
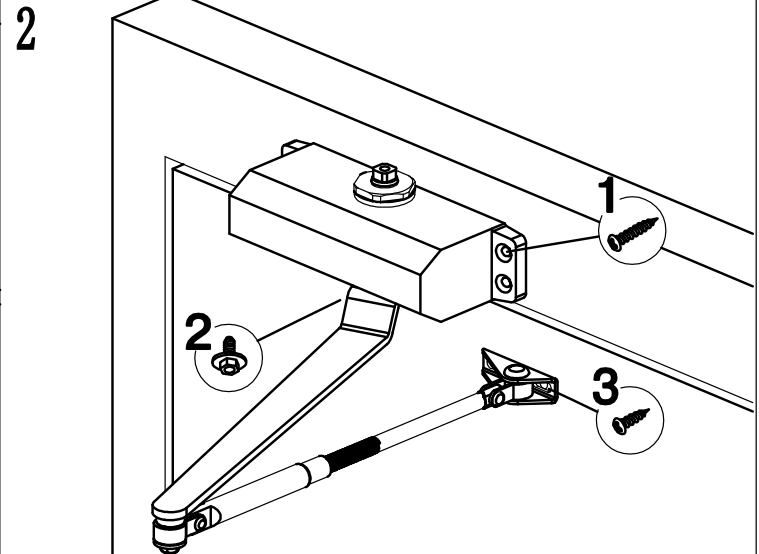
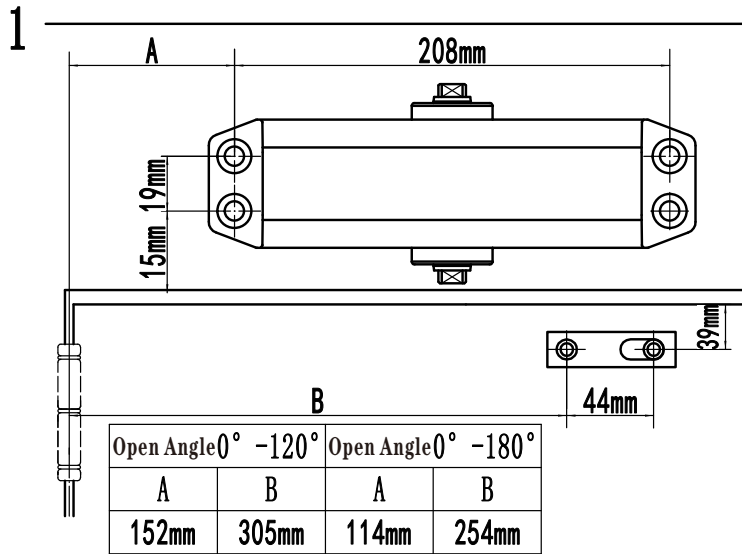
Left hand door installation diagram
Right hand door installation dimensions are the same



Reminder:

Adjust the closing time: adjust the closing time from 90°-0° to 4s-6s, and the user can extend the time appropriately if there are old people or children.

Installation method: Install on the upper door frame of the sliding door side



Warning user:

- (1) do not screw the governor valve out of the main body of the door closer to avoid oil leakage, resulting in unstable operation of the product.
- (2) when closing the door, let the door close freely under the action of the door closer. Do not apply additional force, otherwise the door closer may be damaged.
- (3) please install according to the use scope and size of this manual.

Shut down slowly

Closing fast

