

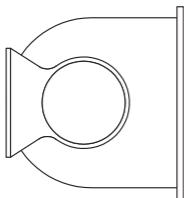
Installation Guide

Rots-3 Stand

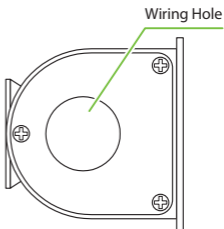
Version: 1.0

Dimensions

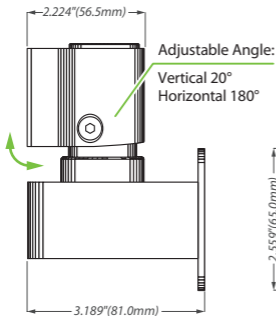
Top View



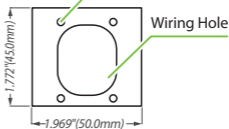
Bottom View



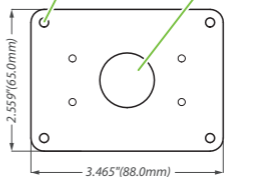
Side View



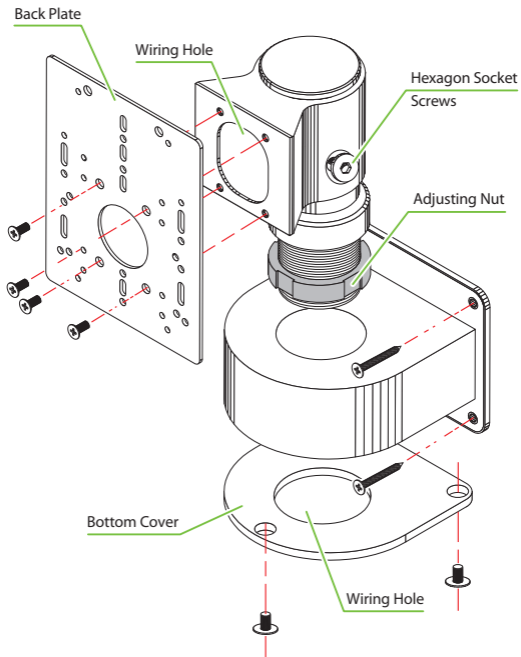
Back Plate Mounting Holes



Wall Mounting Holes



Installation Diagram



How to put the cables through the wire holes?

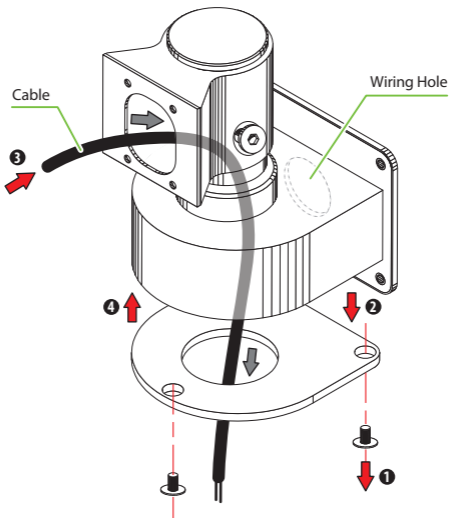
Step 1: Remove the three screws from the bottom cover with a Phillips screwdriver.

Step 2: Remove the bottom cover.

Step 3: Pass the cables through the wire holes before you put the back plate on the base.

Step 4: Put the cable through the wire hole and then install the bottom cover again with the screws.

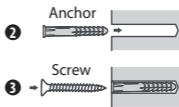
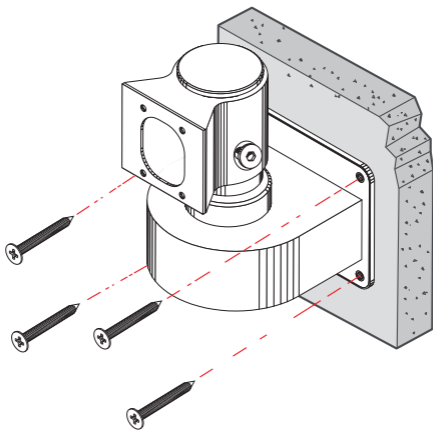
Note: The device has two wire holes, which users can choose according to their needs.



How to install the mounting bracket on the wall?

Step 1: Drill four mounting holes at suitable locations on the wall. The recommended height from the ground is 1.5 meters, which can be adjusted according to the actual situation.

Step 2: Fix the mounting bracket on the wall using four wall mounting screws.



How to connect the device with the mounting bracket?

Step 1: Pass the cables through the back plate.

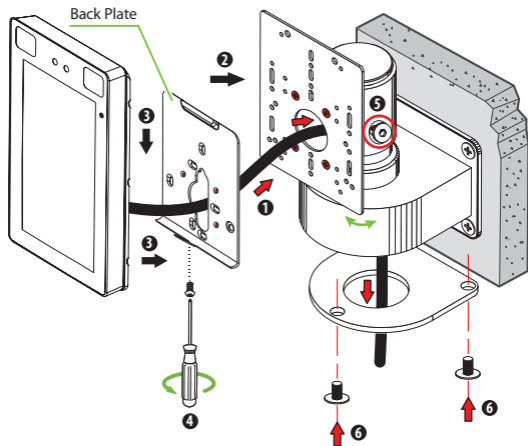
Step 2: Identify the correct mounting holes and fix the back plate on the mounting bracket using the countersunk screws.

Step 3: Connect the cable to the device before attach the device to the back plate.

Step 4: Attach the device to the back plate with a security screw.

Step 5: Adjust the device to a suitable angle and lock the hexagonal screws on both sides.

Step 6: Install the bottom cover with the screws on the mounting bracket, as shown in the figure below.



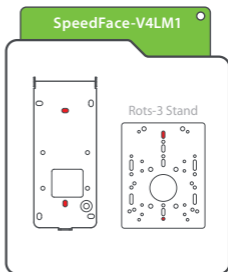
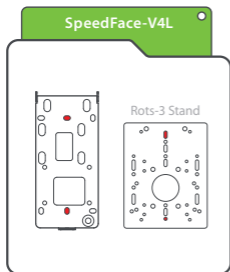
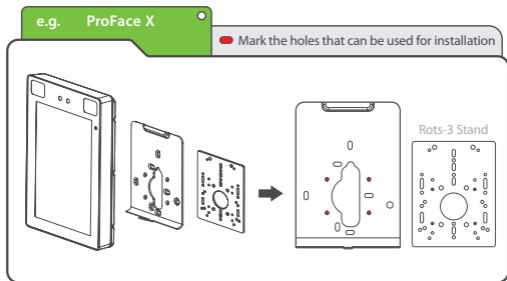
Note: The pictures in this manual are for reference only, please refer to the actual purchase.

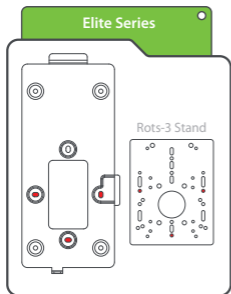
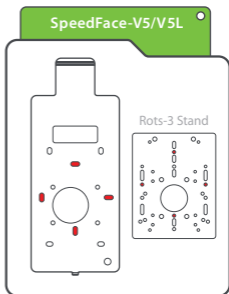
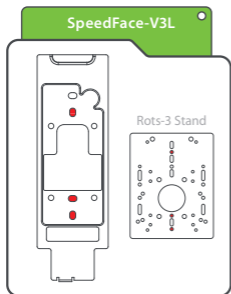
Mounting Hole Description for Compatible Models

Compatible models:

ProFaceX, SpeedFace V4L, SpeedFace V4LM1, SpeedFace V3L, SpeedFace V5/V5L, Elite Series.

Please choose different mounting holes for fastening the device according to the back plate of compatible models as shown below:





NOTE:

The location shown above is for reference only, choose the mounting holes based on the physical object.

ZKTeco Industrial Park, No. 32, Industrial Road,
Tangxia Town, Dongguan, China.

Phone : +86 769 - 82109991

Fax : +86 755 - 89602394

www.zkteco.com

