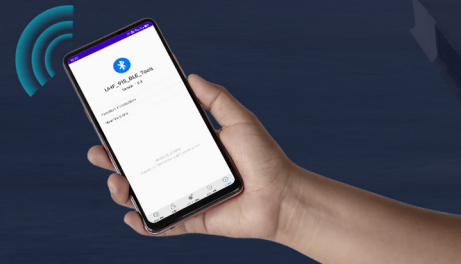


US1000/2000

UHF lite standalone reader is suitable for small and medium-sized parking lots



US1000/2000

US1000/2000 base on upgrade the third-generation UHF reader of ZKTeco, It supports offline management, can be connected to a mobile APP via Bluetooth, does not require an external controller and software, use DEMO to issue user permissions

US1000/2000 is a remote RFID access control machine that integrates UHF reader module and controller module . Support USB, WG, TCP/IP, RS485 and Bluetooth communication. Support USB upgrade, easy to install and use.

Features



Support offline management



Long distance fixed vehicle access management



Support debugged and managed via mobile app



Non-contact access control management



Demo manages users without software



Long distance pedestrian access management



Support 10,000 users, 100,000 records

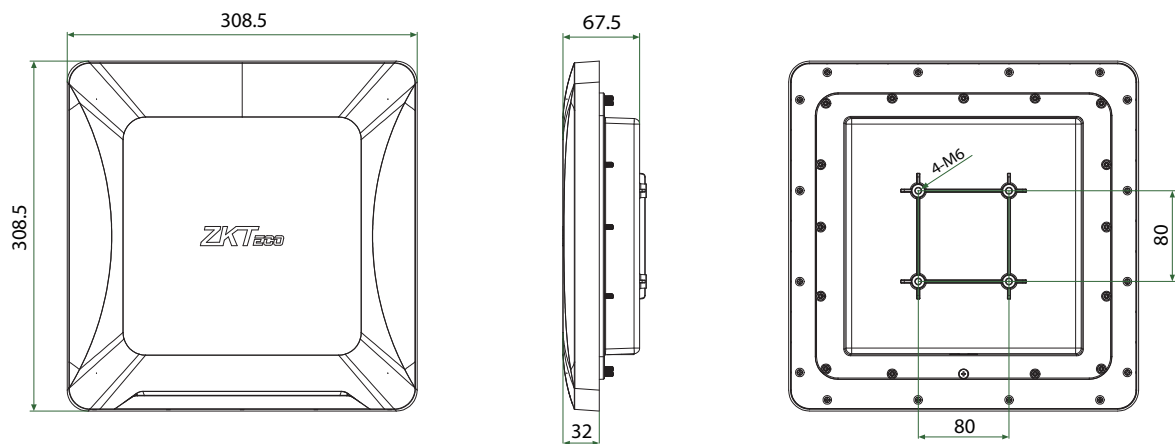
Specifications

model	US1000E&US1000F	US2000E&US2000F
Dimensions (mm)	308.5*308.5*67.5 (±5mm)	445*445*32 (±5mm)
Reading Distance	0~12m	0~18m
Antenna Gain	9dBi	12dBi
Weight	1.8kg	3kg
Frequency	E: 865~868MHz F: 902-906MHz / 902-928Mhz	
Interface Protocol	EPCglobal UHF Class 1 Gen 2 / ISO 18000-6C	
Modes	EPC / TID / USER	
Communication Interface	WG, RS485, Bluetooth; upgrade method USB upgrade, I/O, "TCP/IP"(option)	
WG Communications	Wiegand format options (26, 34, 42, 58, 66, 74, 82, 90, 98), default Wiegand 26	
RS485 communication	1. The default baud rate is 115200 and the address is 0 2. The baud rate can be set to 9600 / 19200 / 38400 / 57600 / 115200	
Protection Level	IP66	
Working Voltage	DC 9-15V	
Working Temperature and Humidity	-20°C~65°C	
Storage Temperature and Humidity	-20°C~80°C	
Power	1.2~4.2W	

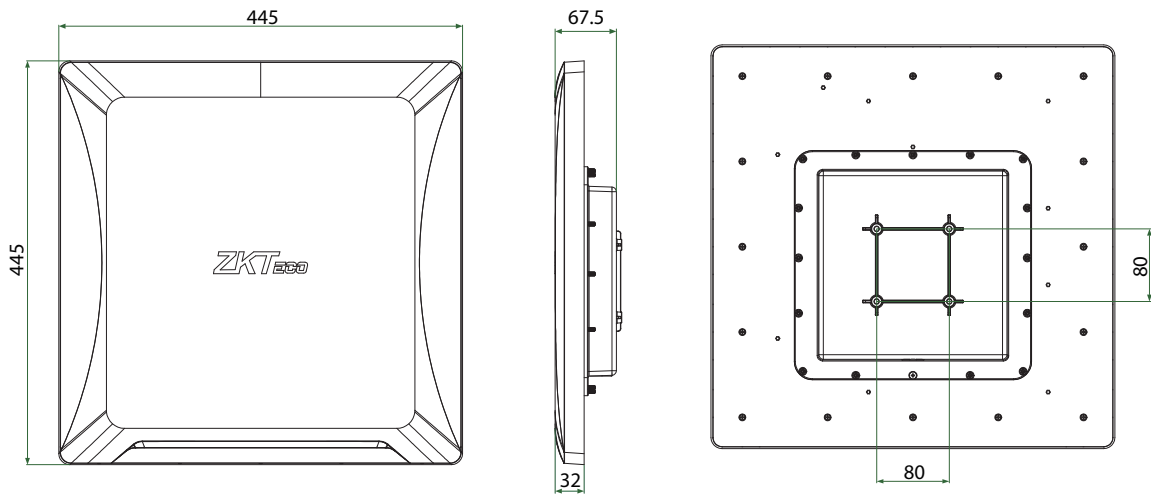
Note

Special note: UHF reader cannot penetrate V-KOOL, 3M, or other premium solar films

Dimensions (mm)

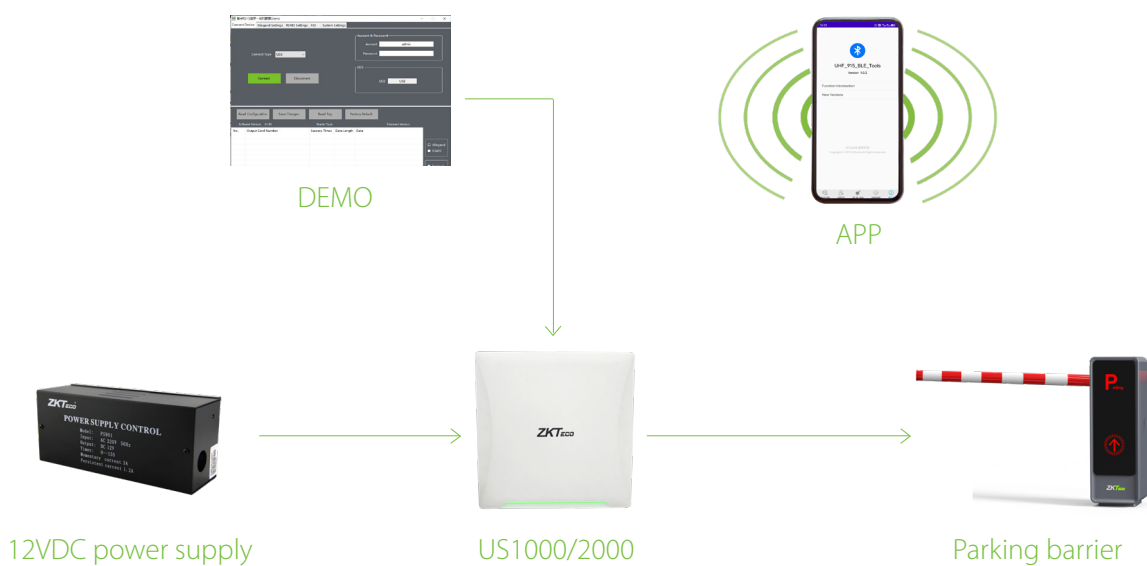


US1000E&US1000F



US2000E&US2000F

Wiring diagram



Accessory Products



Vehicle detection radar



PSA26 Photocell detector



Wire control button



Parking traffic light



Boom bracket



Loop detector and loop coil

