

mTS1000 WP Series



The new compact tripod turnstile reduces the occupancy of space. It is durable because it is made up of stainless steel. The LED breathing lights indicate the direction of the passageway. The turnstile will drop the arm automatically once emergencies occur.



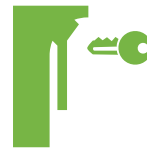
Access Control System



Drop-arm



Bi-directional



Mechanical Unlocking

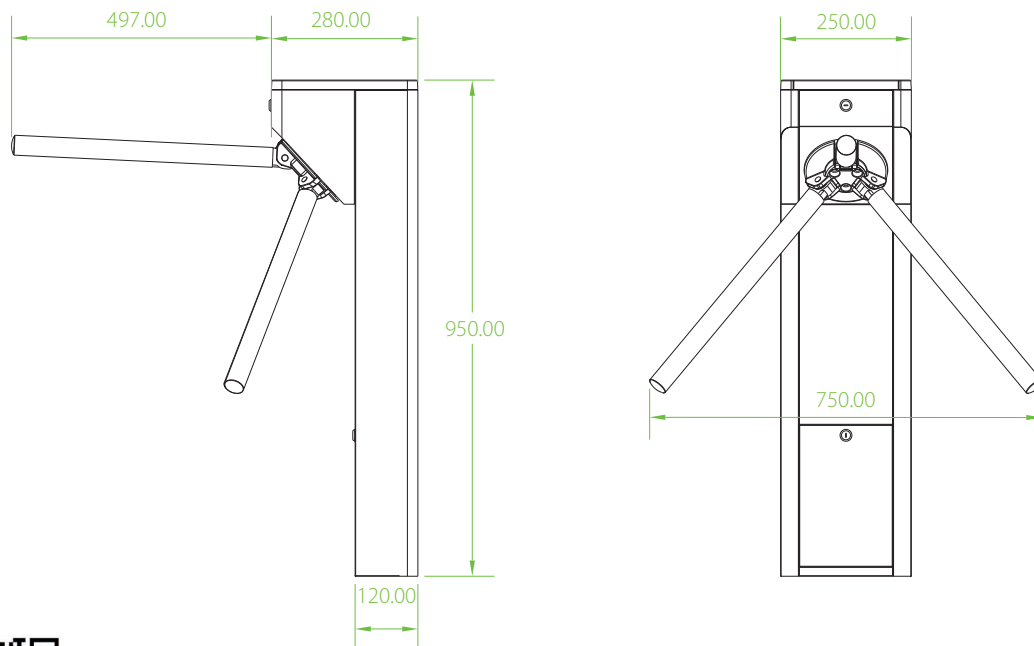
Features

- SUS304 stainless steel housing
- Bi-directional tripod turnstile with arm drop function
- LED breathing lights for intuitive use and high throughput in both directions
- More cost-effective prices
- Low power consumption
- Wide range of accessories
- Easy and simple installation process

Specifications

Power Supply	AC 110V/220V, 50/60Hz
Operating Power	Running:40W
	Standby:10W
Operating Temperature	-20°C to 70°C
Operating Humidity	20% to 80%
Operating Environment	Outdoor
Speed of Throughput	Maximum 25/minute
Lane Width (mm)	497
Footprint (mm)	120*250
Dimensions (L*W*H)	777*750*950 (mm)
Dimensions with Packing (L*W*H)	375*345*1010 (mm)
Net Weight (kg)	15.2KG
Weight with Packing (kg)	18KG
LED Indicator	Support
Cabinet Material	SUS304 Stainless Steel
Lid Material	PC plastics
Barrier Material	SUS304 Stainless Steel
Barrier Movement	Rotating
Emergency Mode	Support
Security Level	Medium
MCBF	2-million
Options/Accessories	Remote control, QR reader

Dimensions (mm)



V22 2023/10/10