

TS1000 Plus Series

Drop arm tripod turnstile.

Balance control of the flow of people with security.



Code: ECTS-A121-SH



Introduction

ZKTeco's TS1000 Plus Series is a vertical tripod turnstile with a compact design. This tripod turnstile's cabinet uses SUS304 stainless steel as standard material, which ensures long durability. TS1000 Plus offers a smaller footprint comparing with other types of product, which saves more space on field. The turnstile not only has efficiently people flow control and also providing safety function such as automatically drop arm function when power off or emergency signal input. The tripod arm can set bi-directional movement as a standard function. Also, users can set the tripod arm in a different working mode by direction. Overall, this tripod turnstile is very easy to set up for most kinds of indoor or outdoor situations, such as schools, museums, factories, gyms, etc.



Access Control System

There are multi different access solution owned by ZKTeco, including RFID and biometric technology or QR code verification. Also allow customer to install third-party systems.



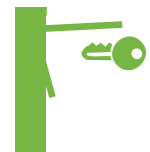
Drop-arm

Safety function always standby, turnstile drop arm automatically. It making sure people exit easily during power off, emergency case like fire case happening.



Bi-directional

The turnstile enable to be setting as different pass mode, like one way free, one way standard. Also the device memory mode allow group user pass-through.



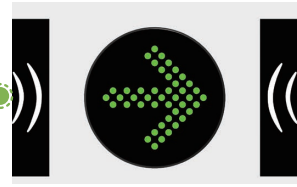
Security Key Unlock

With security key easily to access turnstile inside. It will let installer or administrator will feel convenience operation&maintenance device.

Key Features

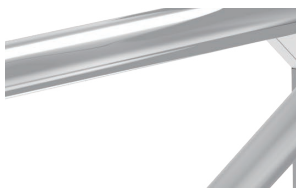
Protection disk

The purpose of a protective disc is to safeguard the device against dust, corrosive water vapor, or splashing water, thereby enhancing the durability of the device and reducing maintenance frequency.



LED Indicator

A built-in LED indicator is present in the identity authentication area. The green indicator represents that you can pass through, while the red indicator shows that you cannot pass in the opposite direction.



Arm loading

The stainless steel arm with 38mm diameter of rod. It provides maximum 40Kg weight loading of vertical direction at end of arm.



Durable

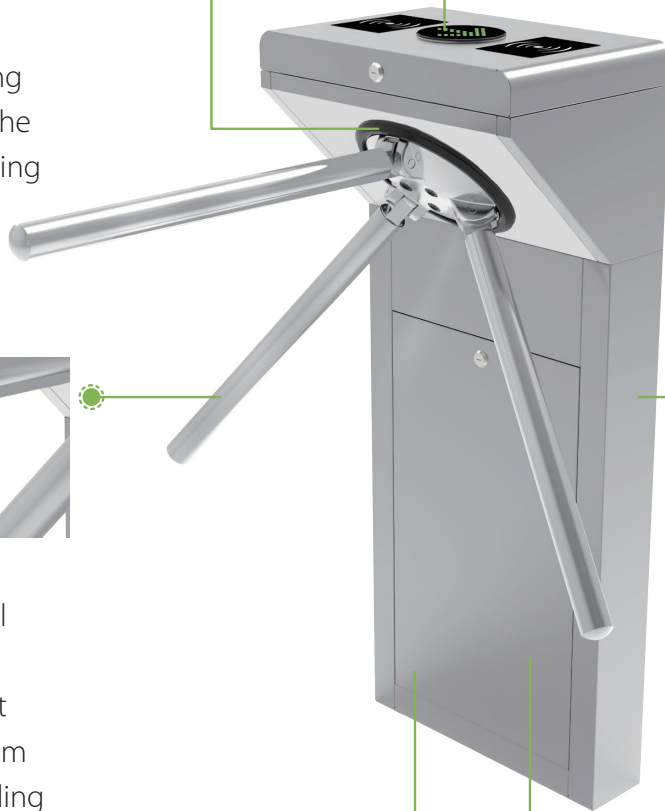
SUS304 stainless steel housing making sure the device have good ability for anti-rust. Certified by Salt spray test 72 hours.

Waterproof

Passed the self-laboratory test which is equivalent to IPX4 protection rating.

Easy to set up

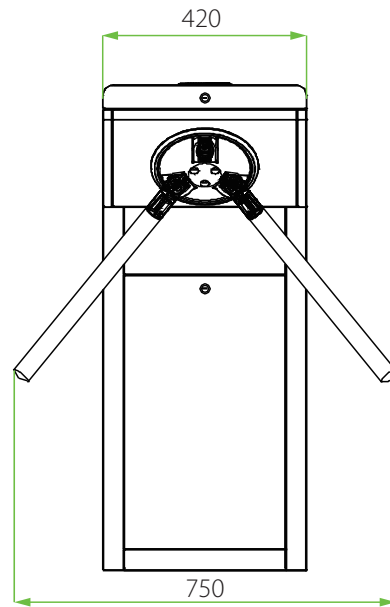
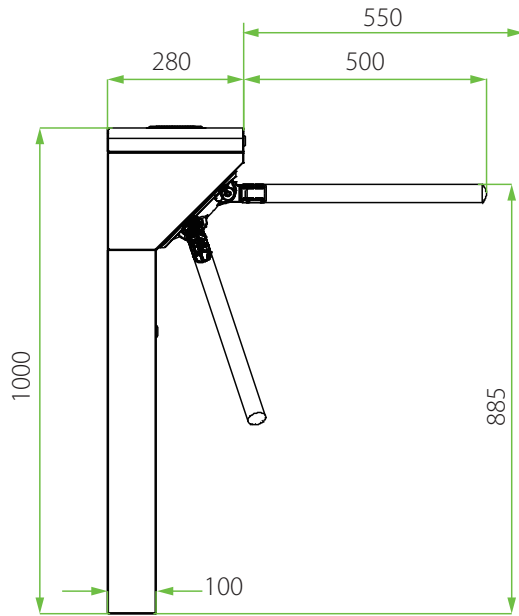
Simply design and easy access construction of device, drawing very low power.



Specifications

Model	TS1000 Plus Series
Lane Type	Single lane
Power Supply	AC 110V/220V, 50/60Hz, DC 12V
Operating Power	Running: 40W Standby:10W
MCBF	2 Million
Speed Of Throughput	Maximum 25/minute
Barrier Movement Type	Rotating
Noise Level	<65dB
LED Indicator	Support
Operating Temperature	-20°C to 70°C
Operating Humidity	20% to 80% RH (Non-condensing)
Application Environment	Indoor/Outdoor (If sheltered)
Ingress Protection Rating	IPX4
Lane Width	550mm
Footprint	100*420(mm)
Dimension	780*750*1000 (L*W*H)(mm)
Dimensions With Packing	380*520*1100 (L*W*H)(mm)
Weight	20kg
Weight With Packing	25kg
Cabinet Material	SUS304 Stainless Steel (T=1.2mm)
Lid Material	SUS304 Stainless Steel
Barrier Material	SUS304 Stainless Steel
Authentication Options	KR800E Reader, FR1500S Reader
Motherboard Function	Door open duration, Access mode
Motherboard Communication	Fire alarm Port(Relay)*1, RS485 port *1
Access controller Options	C3-200, InBio 260 Pro or or third-party devices
Options/Accessories	Remote control,QR reader
Security Level	Medium
Emergency Mode	Support
Certifications	CE, FCC, UKCA (pending) , ISO 9001
Supported Software	ZKBio CVAccess / ZKBio CVSecurity (Compatible with software only when connected to the control panel)
Product Delivery	Pre-assembled

Dimensions (mm)



Application Scenarios



School



Museum



Factory



Gym

