

# User Manual

## FBL700 Series

**Applicable Models: FBL700, FBL 720**

Date: December 2022

Doc Version: 1.0

English

Thank you for choosing our product. Please read the instructions carefully before operation. Follow these instructions to ensure that the product is functioning properly. The images shown in this manual are for illustrative purposes only.



For further details, please visit our Company's website

[www.zkteco.com](http://www.zkteco.com).

Copyright © 2022 ZKTECO CO., LTD. All rights reserved.

Without the prior written consent of ZKTeco, no portion of this manual can be copied or forwarded in any way or form. All parts of this manual belong to ZKTeco and its subsidiaries (hereinafter the "Company" or "ZKTeco").

## Trademark

**ZKTeco** is a registered trademark of ZKTeco. Other trademarks involved in this manual are owned by their respective owners.

## Disclaimer

This manual contains information on the operation and maintenance of the ZKTeco equipment. The copyright in all the documents, drawings, etc. in relation to the ZKTeco supplied equipment vests in and is the property of ZKTeco. The contents hereof should not be used or shared by the receiver with any third party without express written permission of ZKTeco.

The contents of this manual must be read as a whole before starting the operation and maintenance of the supplied equipment. If any of the content(s) of the manual seems unclear or incomplete, please contact ZKTeco before starting the operation and maintenance of the said equipment.

It is an essential pre-requisite for the satisfactory operation and maintenance that the operating and maintenance personnel are fully familiar with the design and that the said personnel have received thorough training in operating and maintaining the machine/unit/equipment. It is further essential for the safe operation of the machine/unit/equipment that personnel has read, understood and followed the safety instructions contained in the manual.

In case of any conflict between terms and conditions of this manual and the contract specifications, drawings, instruction sheets or any other contract-related documents, the contract conditions/documents shall prevail. The contract specific conditions/documents shall apply in priority.

ZKTeco offers no warranty, guarantee or representation regarding the completeness of any information contained in this manual or any of the amendments made thereto. ZKTeco does not extend the warranty of any kind, including, without limitation, any warranty of design, merchantability or fitness for a particular purpose.

ZKTeco does not assume responsibility for any errors or omissions in the information or documents which are referenced by or linked to this manual. The entire risk as to the results and performance obtained from using the information is assumed by the user.

ZKTeco in no event shall be liable to the user or any third party for any incidental, consequential, indirect, special, or exemplary damages, including, without limitation, loss of business, loss of profits, business interruption, loss of business information or any pecuniary loss, arising out of, in connection with, or

relating to the use of the information contained in or referenced by this manual, even if ZKTeco has been advised of the possibility of such damages.

This manual and the information contained therein may include technical, other inaccuracies or typographical errors. ZKTeco periodically changes the information herein which will be incorporated into new additions/amendments to the manual. ZKTeco reserves the right to add, delete, amend or modify the information contained in the manual from time to time in the form of circulars, letters, notes, etc. for better operation and safety of the machine/unit/equipment. The said additions or amendments are meant for improvement /better operations of the machine/unit/equipment and such amendments shall not give any right to claim any compensation or damages under any circumstances.

ZKTeco shall in no way be responsible (i) in case the machine/unit/equipment malfunctions due to any non-compliance of the instructions contained in this manual (ii) in case of operation of the machine/unit/equipment beyond the rate limits (iii) in case of operation of the machine and equipment in conditions different from the prescribed conditions of the manual.

The product will be updated from time to time without prior notice. The latest operation procedures and relevant documents are available on <http://www.zkteco.com>

If there is any issue related to the product, please contact us.

## ZKTeco Headquarters

**Address**            ZKTeco Industrial Park, No. 32, Industrial Road,  
Tangxia Town, Dongguan, China.

**Phone**             +86 769 - 82109991

**Fax**                 +86 755 - 89602394

For business-related queries, please write to us at: [sales@zkteco.com](mailto:sales@zkteco.com).

To know more about our global branches, visit [www.zkteco.com](http://www.zkteco.com).

## About the Company

ZKTeco is one of the world's largest manufacturer of RFID and Biometric (Fingerprint, Facial, Finger-vein) readers. Product offerings include Access Control readers and panels, Near & Far-range Facial Recognition Cameras, Elevator/floor access controllers, Turnstiles, License Plate Recognition (LPR) gate controllers and Consumer products including battery-operated fingerprint and face-reader Door Locks. Our security solutions are multi-lingual and localized in over 18 different languages. At the ZKTeco state-of-the-art 700,000 square foot ISO9001-certified manufacturing facility, we control manufacturing, product design, component assembly, and logistics/shipping, all under one roof.

The founders of ZKTeco have been determined for independent research and development of biometric verification procedures and the productization of biometric verification SDK, which was initially widely applied in PC security and identity authentication fields. With the continuous enhancement of the development and plenty of market applications, the team has gradually constructed an identity authentication ecosystem and smart security ecosystem, which are based on biometric verification techniques. With years of experience in the industrialization of biometric verifications, ZKTeco was officially established in 2007 and now has been one of the globally leading enterprises in the biometric verification industry owning various patents and being selected as the National High-tech Enterprise for 6 consecutive years. Its products are protected by intellectual property rights.

## About the Manual

This manual introduces the operations of **FBL700 Series**.

All figures displayed are for illustration purposes only. Figures in this manual may not be exactly consistent with the actual products.

Features and parameters with ★ are not available in all devices.






## Document Conventions

Conventions used in this manual are listed below:

### GUI Conventions

| For Software     |  |
|------------------|--|
| Convention       | Description  |
| <b>Bold font</b> | Used to identify software interface names e.g. <b>OK, Confirm, Cancel.</b>   |
| >                | Multi-level menus are separated by these brackets. For example, File > Create > Folder.                                      |
| For Device       |  |
| Convention       | Description  |
| <>               | Button or key names for devices. For example, press <OK>.  |
| [ ]              | Window names, menu items, data table, and field names are inside square brackets. For example, pop up the [New User] window. |
| /                | Multi-level menus are separated by forwarding slashes. For example, [File/Create/Folder].                                    |

### Symbols

| Convention  | Description  |
|---|--|
|  | This represents a note that needs to pay more attention to.                            |
|  | The general information which helps in performing the operations faster.               |
|  | The information which is significant.  |
|  | Care taken to avoid danger or mistakes.  |
|  | The statement or event that warns of something or that serves as a cautionary example. |

## Table of Contents

|           |   |           |
|-----------|---|-----------|
| <b>1</b>  | <b>DEVICE OPERATING INSTRUCTIONS .....</b>          | <b>6</b>  |
| <b>2</b>  | <b>OVERVIEW.....</b>                                | <b>7</b>  |
| <b>3</b>  | <b>FEATURES .....</b>                               | <b>8</b>  |
| <b>4</b>  | <b>TECHNICAL SPECIFICATIONS.....</b>                | <b>9</b>  |
| <b>5</b>  | <b>APPEARANCE AND DIMENSIONS .....</b>              | <b>10</b> |
| <b>6</b>  | <b>PRODUCT COMPONENTS AND WORK PRINCIPLE .....</b>  | <b>11</b> |
| 6.1       | MECHANICAL SYSTEM.....                              | 11        |
| 6.2       | ELECTRONIC CONTROL SYSTEM .....                     | 11        |
| 6.3       | WORKING PRINCIPLE.....                              | 11        |
| 6.4       | SYSTEM COMPOSITION.....                             | 12        |
| <b>7</b>  | <b>FUNCTION INTRODUCTION .....</b>                  | <b>13</b> |
| 7.1       | FINGERPRINT VERIFICATION.....                       | 13        |
| 7.2       | CARD VERIFICATION.....                              | 14        |
| <b>8</b>  | <b>MENU INTRODUCTION .....</b>                      | <b>16</b> |
| 8.1       | BUTTON DESCRIPTION .....                            | 16        |
| 8.2       | TURNSTILE CONTROL BOARD'S WIRING INSTRUCTIONS ..... | 17        |
| 8.3       | PARAMETER SETTINGS DESCRIPTION .....                | 17        |
| 8.4       | ERROR CODE AND TROUBLESHOOTING .....                | 21        |
| <b>9</b>  | <b>WIRING DIAGRAM .....</b>                         | <b>22</b> |
| <b>10</b> | <b>WARRANTY COVERAGE.....</b>                       | <b>23</b> |

# 1 Device Operating Instructions

- Before the device is put into use, it must first pass the functional commissioning and be put into use only after normal commissioning.
- When the device is powered on, it is strictly forbidden to stand in the channel.
- Pedestrians reading the card to pass, in the direction of the indicator sign does not turn green, is strictly prohibited to enter the channel.
- Do not stay in the channel for long periods of time.
- Through the channel, do not crowd, pedestrians should maintain a certain distance between pedestrians.
- It is strictly forbidden not to swipe the card and pass through the gate quickly.
- Recommended in the device work conspicuously marked this machine pass instructions, guide the passer safely and orderly through the gate channel.
- Device is not working to properly manage the device, knocking, shaking device is strictly prohibited.
- When the device is closed, it is strictly prohibited to push, pull or hit the gate.

**Note:**

1. Do not use the machine when there is lightning, in order to prevent damage to the machine.
2. Make sure that the system protection ground is reliably connected to prevent personal injury.

## 2 Overview

The FBL700 series multi-functional brushless anti-collision flap barrier turnstile is an intelligent channel management equipment developed and produced by our company for many years. The equipment organically integrates machinery, electronics, microprocessor control and various reading and writing technologies. Through the configuration of various reading and writing equipment, the use of reliable safety protection devices, real-time alarm system and direction indication interface, the intelligent control and management of the channel are jointly coordinated.

The shape of the equipment is stamped and formed of stainless steel plate, which is beautiful in appearance, rust-proof and durable, and adopts standard electrical interface to the outside, which can integrate barcode, ID card, IC card and other card readers on the equipment, providing civilized access to personnel. In addition, the system is also specially designed with functions required for fire protection, in case of emergency, it can ensure that the passage is unobstructed, and it is convenient for people to evacuate in time.





### 3 Features

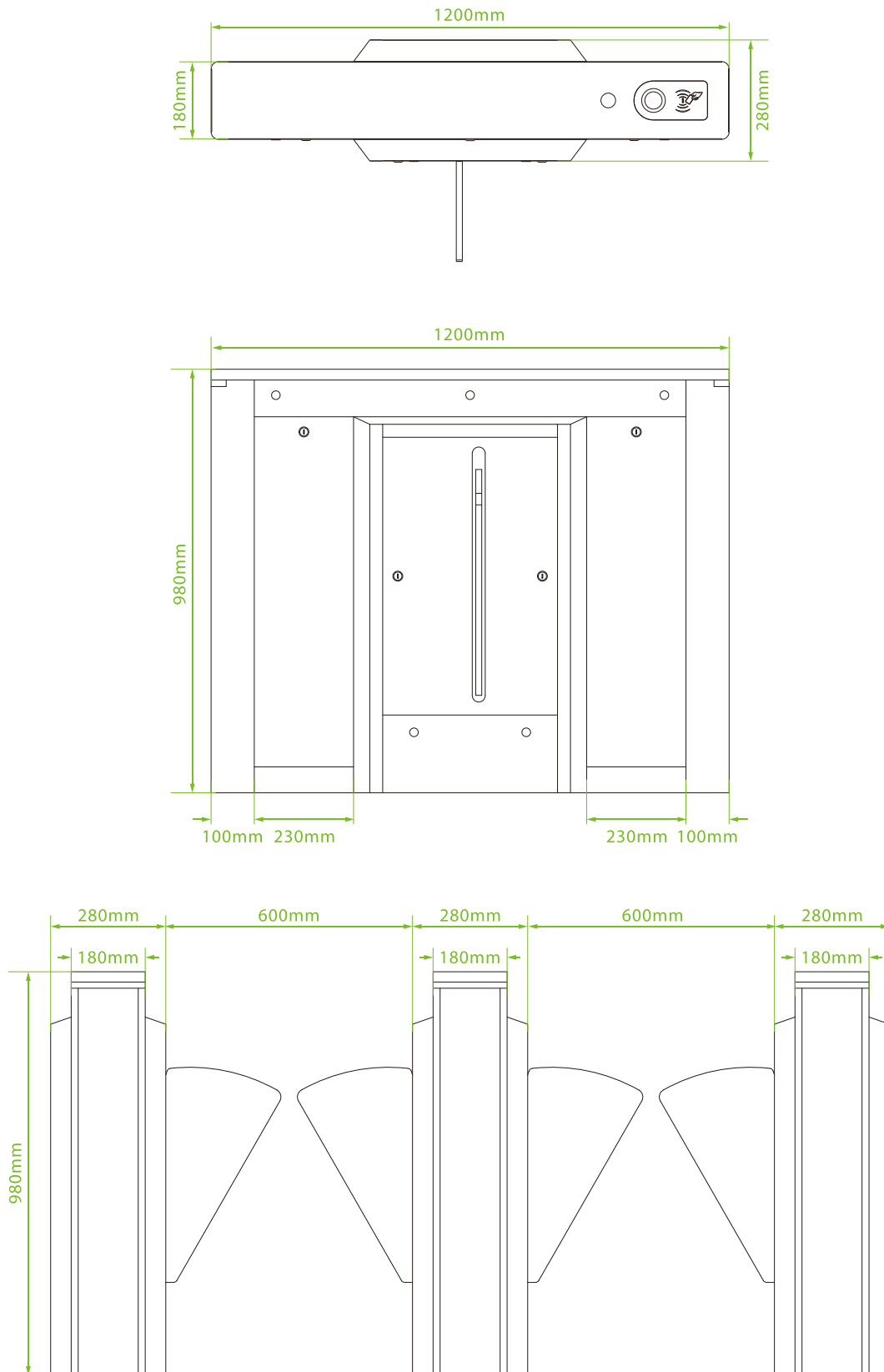
- It has a clear traffic direction indication function, which is expressed in the form of intuitive LED light indication
- With anti-tailing function: when it is detected that there is a trailing phenomenon in the channel, the system will automatically alarm
- There are a variety of working modes to choose from, which can be one-way traffic, two-way traffic, infrared opening or opening the gate through the control signal to the main board
- With automatic reset function: when the passer does not pass within the specified time after receiving the signal to open the gate, the system will automatically cancel the passer's current access authority
- With voice prompt function
- With zero position self-test function, it is convenient for users to maintain and use
- With anti-pinch action setting function, when people are in the process of passing and the set passing time has expired, it can prevent the swing arm from closing and injuring people
- It has 485 and 232 serial communication functions, and can control the gate opening through the 485/232 serial port
- Anti-collision function: The swing arm will open to form a certain angle when it is impacted. When the external force disappears, the swing arm automatically returns to protect the movement

## 4 Technical Specifications

| Feature                         | Specification                             |
|---------------------------------|---|
| <b>Input Voltage</b>            | AC100V to 120V/200 to 240V, 50 Hz to 60Hz |
| <b>Working Temperature</b>      | -28 °C to 60°C                            |
| <b>Working Humidity</b>         | 5% to 80%                                 |
| <b>Working Environment</b>      | Indoor/Outdoor                            |
| <b>Max. Speed of Throughput</b> | 30 people per minute                      |
| <b>Lane Width (mm)</b>          | 600                                       |
| <b>Dimension (L*W*H)</b>        | 1200 * 300 *980 (mm)                      |
| <b>LED Indicator</b>            | Support                                   |
| <b>Cabinet Material</b>         | SUS304 stainless steel                    |
| <b>Lid Material</b>             | SPCC (with black baking paint)            |
| <b>Barrier Material</b>         | Acrylic                                   |
| <b>Barrier Movement</b>         | Retracting                                |
| <b>Emergency Mode</b>           | Support                                   |
| <b>Security Level</b>           | Medium                                    |
| <b>MCBF</b>                     | 2 million                                 |
| <b>Opening Time</b>             | 0.8s                                      |
| <b>Noise of Opening</b>         | ≤30dB                                     |

## 5 Appearance and Dimensions

FBL700's appearance and dimensions are shown below:



## 6 Product Components and Work Principle

### 6.1 Mechanical System

The mechanical system of the FBL700 series includes the chassis and the core component. The chassis is a carrier where the Direction indicator, Reader, Infrared sensor, and the Door lock are installed. The core component mainly consists of the Motor, Frame, Bearing, and swing Arm.

### 6.2 Electronic Control System

The electronic control system of a swing barrier turnstile is mainly composed of the Reader, Turnstile control board, Infrared Sensor, Direction Indicator and Alarm.

**Reader:** The reader reads the data in the card/fingerprint and sends it to the Access Controller.

**Turnstile control board:** The turnstile control board is the system's control center that receives signals from the reader and the photoelectric switch performs logical calculation and processing of these signals and sends executive commands to the Direction indicator, electric motor and the alarm.

**Infrared sensor:** It detects the position of the pedestrian and plays the role of safety protection.

**Direction indicator:** This indicator displays the pedestrian passage path and directs them to pass through the lane in a safe and orderly manner.

**Alarm:** The alarm gives an alarm voice if the system detects any unauthorized entry to the passage.

### 6.3 Working Principle

1. After powering on to the device, the system performs the Power-On Self-Test. (The turnstile control board self-checks whether the infrared sensor is normal, the driver drives the motor to rotate left and right and calculates to find the zero position)
2. After the Power-On Self-Test is completed, the system will be prompted to start and the device will enter the standby state (if a fault is detected, the cause of the fault will be broadcast by voice, and the components corresponding to the cause will be manually checked to see if the wiring is normal, and the device will be restarted after adjustment).
3. When a valid Card/Fingerprint detected, the buzzer will give a positive audible prompt to the pedestrian, indicating that successfully verified. And then, the reader sends signals to the Access Controller to request permission to pass through the passage. The Access Controller will send the signal to the master control panel.

4. After receiving the signal from the Access Controller, the turnstile control board sends valid control signals to the direction indicator and the electric motor. At last the direction arrow turns green.
5. Pedestrians pass through the passage according to the direction indicator signs. Infrared sensors keep on detecting the pedestrian during the whole process, and continue to send signal to the master control board until the pedestrian passes completely through the passage.
6. If the pedestrian enters the passage but forgets to verify identification, or if the card/fingerprint by the pedestrian is invalid, the system will prompt an audible alarm to stop and retreat the pedestrian from the passage. The pedestrian can pass through the passage only after a valid card/fingerprint is successfully verified.

## 6.4 System Composition

The single-lane management system is composed of two single-core swing barriers. The multi-lane management system is composed of two single-core barriers and multiple dual-core barriers.

### **Working modes of the system**

To make the product more versatile, this system provides multiple working modes for the user, including Normal working mode, Normally open mode, Normally close mode and Testing mode.

**Normal Working Mode:** In this working mode, the turnstile works normally.

**Normal Open Mode:** In this working mode, the turnstile is always open.

**Normal Close Mode:** In this working mode, the turnstile is always closed.

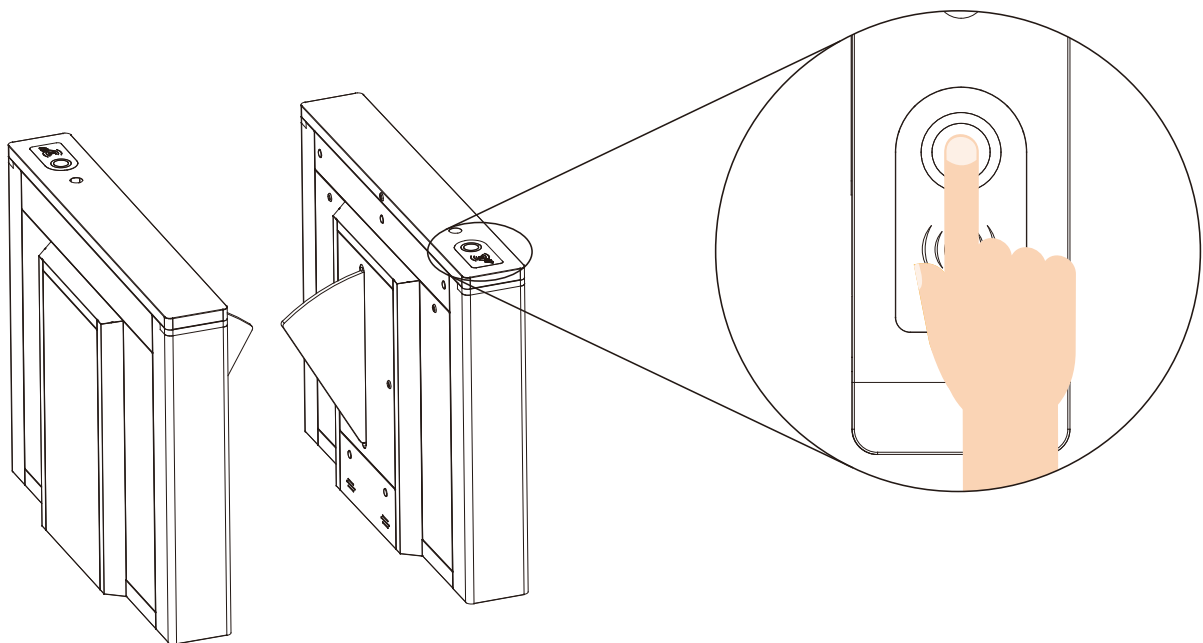
**Testing Mode:** In this working mode, the turnstile performs auto-test.

## 7 Function Introduction

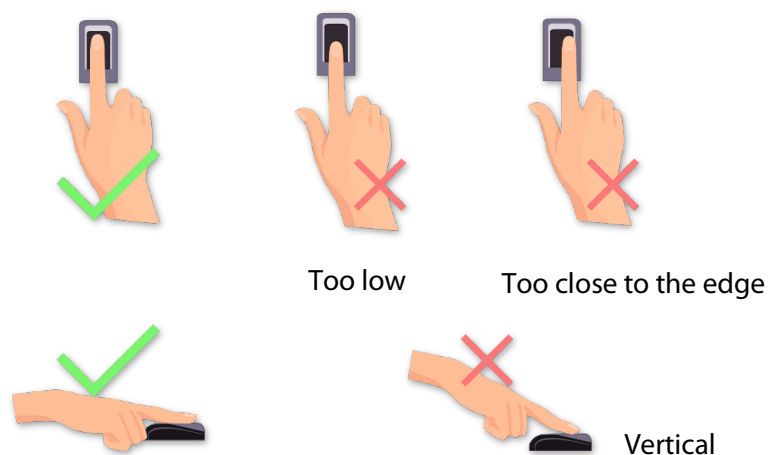
### 7.1 Fingerprint Verification

In this verification mode, the device compares the fingerprint that is being pressed onto the fingerprint reader with all the fingerprint data sends it to the Access Controller.

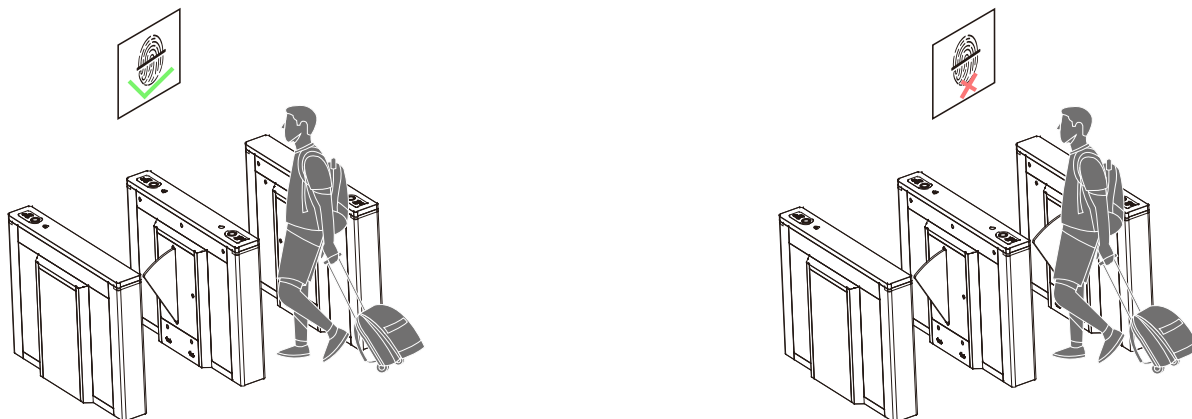
The device enters the fingerprint authentication mode when a user presses his/her finger onto the fingerprint scanner.



**Recommended fingers:** It is recommended to use index, middle, or ring finger for registration and avoid using the thumb or little finger, as they are difficult to accurately press onto the fingerprint reader.



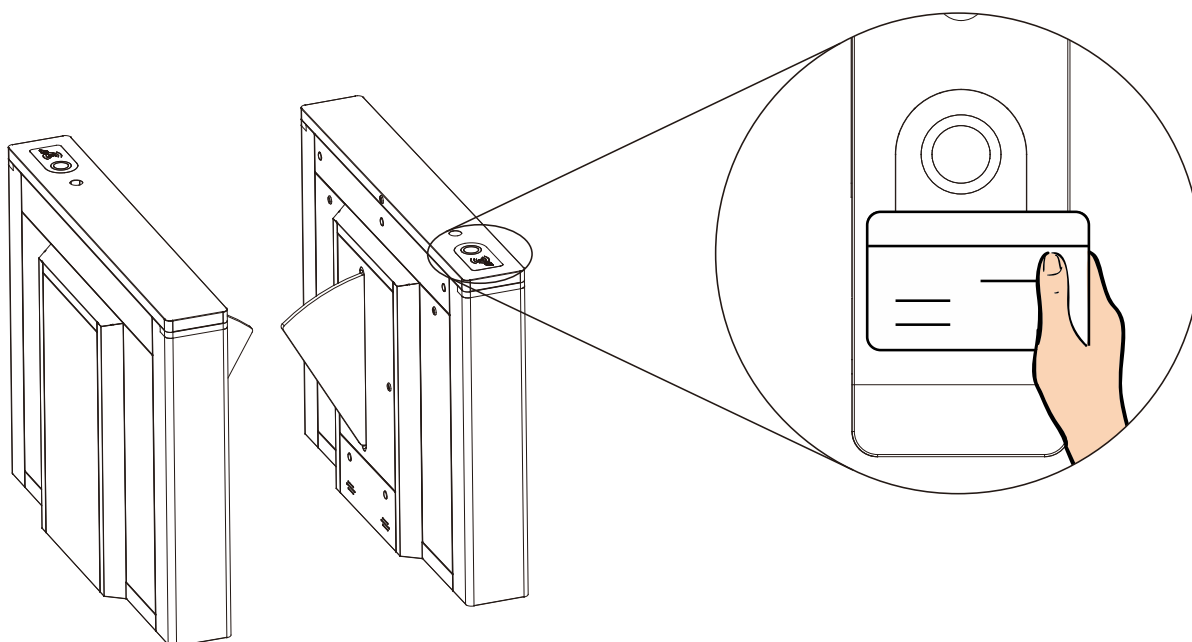
**Note:** Please use the correct method when pressing your fingers onto the fingerprint reader for registration and identification. Our company will assume no liability for recognition issues that may result from incorrect usage of the product. We reserve the right of final interpretation and modification concerning this point.

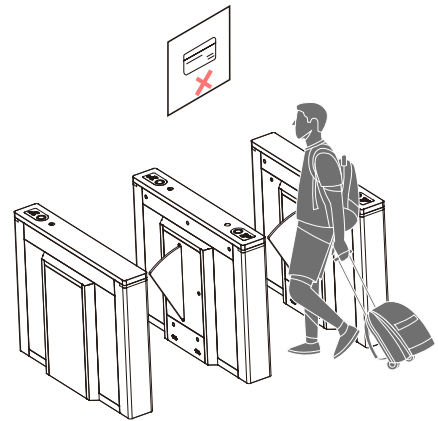
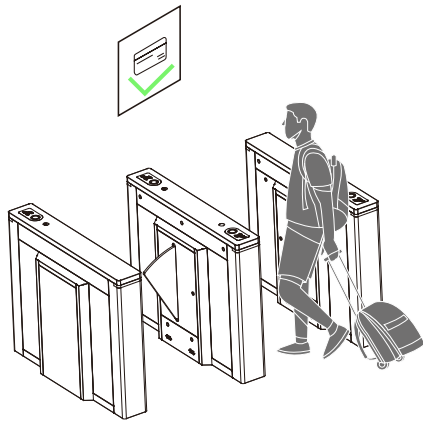


## 7.2 Card Verification

The Card Verification mode compares the card number in the card induction area with all the card number data registered in the device and sends it to the Access Controller.

The device enters the card authentication mode when a user presses his/her card to the card reading area.







## 8 Menu Introduction

### 8.1 Button Description

There are 5 keys on the control panel, "MENU", "▲", "▼", "ENT" and CANCEL.

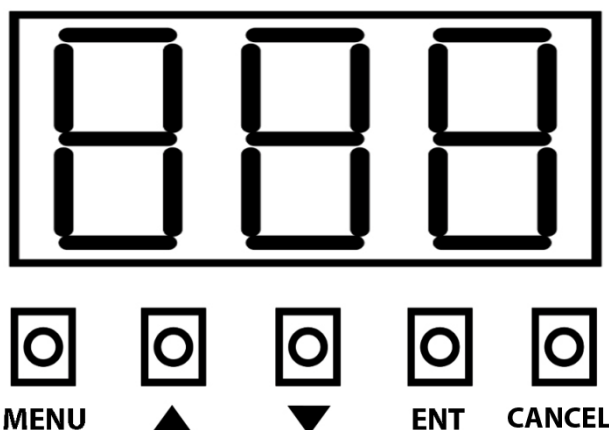
**MENU:** It is used for accessing the settings menu.

**▲:** It is used to scroll up menus and increase parameter/value.

**▼:** It is used for flip down the menus and decrease parameter/value.

**ENTER:** It is used for confirming the current modified value.

**CANCEL:** It is used for return to the previous menu level or cancel the current operation.



#### Menu operations:

Press "MENU/ENT" button to enter the password input interface, the default password is: ▲▲▼▼▲▼. Enter the 6-digit password, press "ENT" to enter the system menu. After entering the menu, press "▲" "▼" to select a function menu and then press "MENU/ENT" to enter the function or value change interface, select or adjust to the corresponding value by pressing the "▲" or "▼". button

Example: To change the gate working mode: enter the menu, select **"Working Modes of the Turnstile"** in the menu → press "MENU/ENT" (display the current working mode) → press "MENU/ENT" again to enter the interface of modifying the working mode → press "▲" or "▼" to select the corresponding working mode → press "MENU/ENT" to modify successfully → press "CANCEL" to exit after setting is completed (if you don't press "CANCEL", the system will exit automatically after 15 seconds).

#### Note:

1. The default state is displayed on the LCD screen after the turnstile control board is powered on, and the default state shows the "working mode" of the control board at this time (single

swing barrier, double swing barrier and flap barrier), as well as parameters such as the number of passes outbound and inbound.

2. There are 4 buttons on the new flap barrier turnstile control board, "MENU/ENT", "▲", "▼", "CANCEL". ("MENU /ENT" is used as menu key and OK key)
3. The standard flap barrier turnstile control board has 5 operation buttons, "MENU", "▲", "▼", "ENT" and "CANCEL".

## 8.2 Turnstile Control Board’s Wiring Instructions

First set up the type of turnstile control board (single swing barrier, double swing barrier and flap barrier), facing the turnstile to do wiring operation, whether it is the master board or slave board, with the left proximity switch connected to the left to limit, the middle to the zero position, the right to the right to limit (Note: flap barrier only 2 limits, zero and left to limit). Facing to the master board, the left infrared connected to the left infrared, the middle to the anti-pinch, and the right to the right Infrared. Motor line was randomly connected to the power to see which side of the motor steering is not the right side of the motor line.

## 8.3 Parameter Settings Description

| Items      | Description  |
|------------|--|
| <b>L-1</b> | <p><b><u>Inbound and Outbound Direction Configuration</u></b></p> <p>Set whether the left side of the turnstile is the inbound or the outbound; the right side is the inbound or the outbound.</p>   |
| <b>L-2</b> | <p><b><u>Inbound and Outbound Access Control</u></b></p> <p>Set whether both sides of the turnstile (inbound and outbound) are allowed to pass or not (all allowed by default).</p> <ul style="list-style-type: none"> <li>● Left forbidden, right allowed</li> <li>● Left allowed, right forbidden</li> <li>● All forbidden</li> <li>● All allowed</li> </ul> |

|                   |   |
|-------------------|---|
| <p><b>L-3</b></p> | <p><b><u>Working Modes of the Turnstile</u></b></p> <p>Set the turnstile opening method, for infrared opening, or swipe the card/press the fingerprint to open (Default all swipe card/ press the fingerprint).</p> <ul style="list-style-type: none"> <li>● Infrared on left, swipe the card/press the fingerprint on the right</li> <li>● Swipe the card/Press the fingerprint on the left, Infrared on right</li> <li>● Infrared on left and right</li> <li>● Swipe the card/Press the fingerprint on the left and right</li> </ul>  |
| <p><b>L-4</b></p> | <p><b><u>Inbound/Outbound Memory Function Configuration</u></b></p> <p>When opening or closing the inbound/outbound pass whether it has memory function, which is generally used for swiping the card/pressing the fingerprint to open the gate, in the case of one person swiping the card/press the fingerprint has not passed, whether the memory of other people swiping the card/press the fingerprint. "Without" means the first person swipe the card/pressing the fingerprint through, the second person swipes the card/pressing the fingerprint to be effective; "With" is how many people swipe the card/pressing the fingerprint that allows the number of consecutive people through</p> |
| <p><b>L-5</b></p> | <p><b><u>The Opening Time of the Inbound and Outbound (Unit: second)</u></b></p> <p>Set the length of time after the gate is opened and no one passes, the gate will automatically close (default 5 seconds, maximum 999 seconds).</p>  |
| <p><b>L-6</b></p> | <p><b><u>Counter Reset</u></b></p> <p>Clear the number of inbound/outbound passes and recount.</p>  |
| <p><b>L-7</b></p> | <p><b><u>Device Machine Number (Only with communication motherboard)</u></b></p> <p>The device number of the turnstile control board.</p>   |
| <p><b>L-8</b></p> | <p><b><u>Device Information</u></b></p> <p>Display basic information about the turnstile control board, such as type, model, and other information (e.g., YBZ-5.0SE)</p>  |
| <p><b>L-9</b></p> | <p><b><u>Gate Type</u></b></p> <p>Set the type of gates, there are three types of gates: "flap barrier", "single swing barrier", and "double swing barrier"; what turnstile should be set to the corresponding type to work properly. The default is "double swing barrier " type.</p>  |

|                    |  |
|--------------------|--|
| <p><b>L-10</b></p> | <p><b><u>System Initialization</u></b></p> <p>Initialize the turnstile control board parameters. After successful initialization, the turnstile control board parameters are restored to factory settings.</p>   |
| <p><b>L-11</b></p> | <p><b><u>Left Passage Voice</u></b></p> <p>Set the voice to be played by the channel when passing from the left. For example, you can set the turnstile to play "Welcome" when you pass from the left.</p>   |
| <p><b>L-12</b></p> | <p><b><u>Right Passage Voice</u></b></p> <p>Set the voice to be played by the channel when passing from the right. For example, you can set the turnstile to play "Have a safe trip" when you pass from the right.</p>   |
| <p><b>L-13</b></p> | <p><b><u>Illegal Entry of Voice</u></b></p> <p>When unauthorised entrance is detected, an infrared voice can be set on the left and right sides.</p>   |
| <p><b>L-14</b></p> | <p><b><u>Motor Opening Speed</u></b></p> <p>When the motor opens the gate, it is used to set the running speed, the smaller the value, the slower the speed. Separate speeds can be specified for the master and slave motors.</p>   |
| <p><b>L-15</b></p> | <p><b><u>Motor Closing Speed</u></b></p> <p>When the motor closes the gate, it is used to set the running speed, the smaller the value, the slower the speed. Separate speeds can be specified for the master and slave motors.</p>  |
| <p><b>L-16</b></p> | <p><b><u>Maximum Motor Runtime</u></b></p> <p>Set the maximum time for the motor to run at one time, (when the turnstile control board has a fault due to external detection or other original no signal) to prevent the motor from idling all the time, the default is 3s.</p>  |
| <p><b>L-17</b></p> | <p><b><u>Infrared Stacking Time (Unit: second)</u></b></p> <p>Set the time allowed to block 2 infrareds at the same time, due to the short spacing between some turnstile infrared (such as the left infrared and anti-pinch is very close), to prevent the human body from blocking 2 infrared voices at the same time will be a false alarm.</p> |

|                    |  |
|--------------------|--|
| <p><b>L-18</b></p> | <p><b><u>Delay Closing Time (Unit: second)</u></b></p> <p>It is used to set how long to close the gate after pedestrians pass through the gate normally, the default is 0, no delay, that is, the gate will be closed immediately after pedestrian pass through.</p> |
| <p><b>L-19</b></p> | <p><b><u>Swing Barrier Power Failure Opening Direction</u></b></p> <p>In the swing barrier mode, you can set which direction the gate opens after power failure.</p>   |
| <p><b>L-20</b></p> | <p><b><u>Flap Barrier IR Setting</u></b></p> <p>This function can be set in the flap barrier mode for pedestrian to pass the last pair of infrared gates or to pass the anti-pinch infrared gate. (Default over the last pair of infrared gates)</p>                 |
| <p><b>L-21</b></p> | <p><b><u>Illegal Entry Setting</u></b></p> <p>You can set the gate to close the gate or not when the gate is opened after the reverse direction of passage. (The default is not to close the gate to prevent pinching)</p>   |
| <p><b>L-22</b></p> | <p><b><u>Normal Open</u></b></p> <p>The system forces the gate to be open when the received signal is greater than the set value, until the received signal is less than the value when the gate is closed.</p>  |
| <p><b>L-23</b></p> | <p><b><u>Swipe Card Setting on Alarm</u></b></p> <p>Allow swipe card or not allow swipe card when illegal entry.</p>   |
| <p><b>L-24</b></p> | <p><b><u>Anti-tailgate Sensitivity Setting</u></b></p> <p>Can be set according to the user site when more than one person through the gate, the trailing distance, the smaller the value the higher the sensitivity.</p>   |
| <p><b>L-25</b></p> | <p><b><u>Turnstile Test</u></b></p> <p>Repeatedly open and close the gate test, mainly for testing the stability of the gate control board and aging test.</p>   |

**Note:**

1. No peripherals may be added to the system without permission.
2. During commissioning, if the commissioning results do not match the stated function, please refer to error code and troubleshooting.

## 8.4 Error Code and Troubleshooting

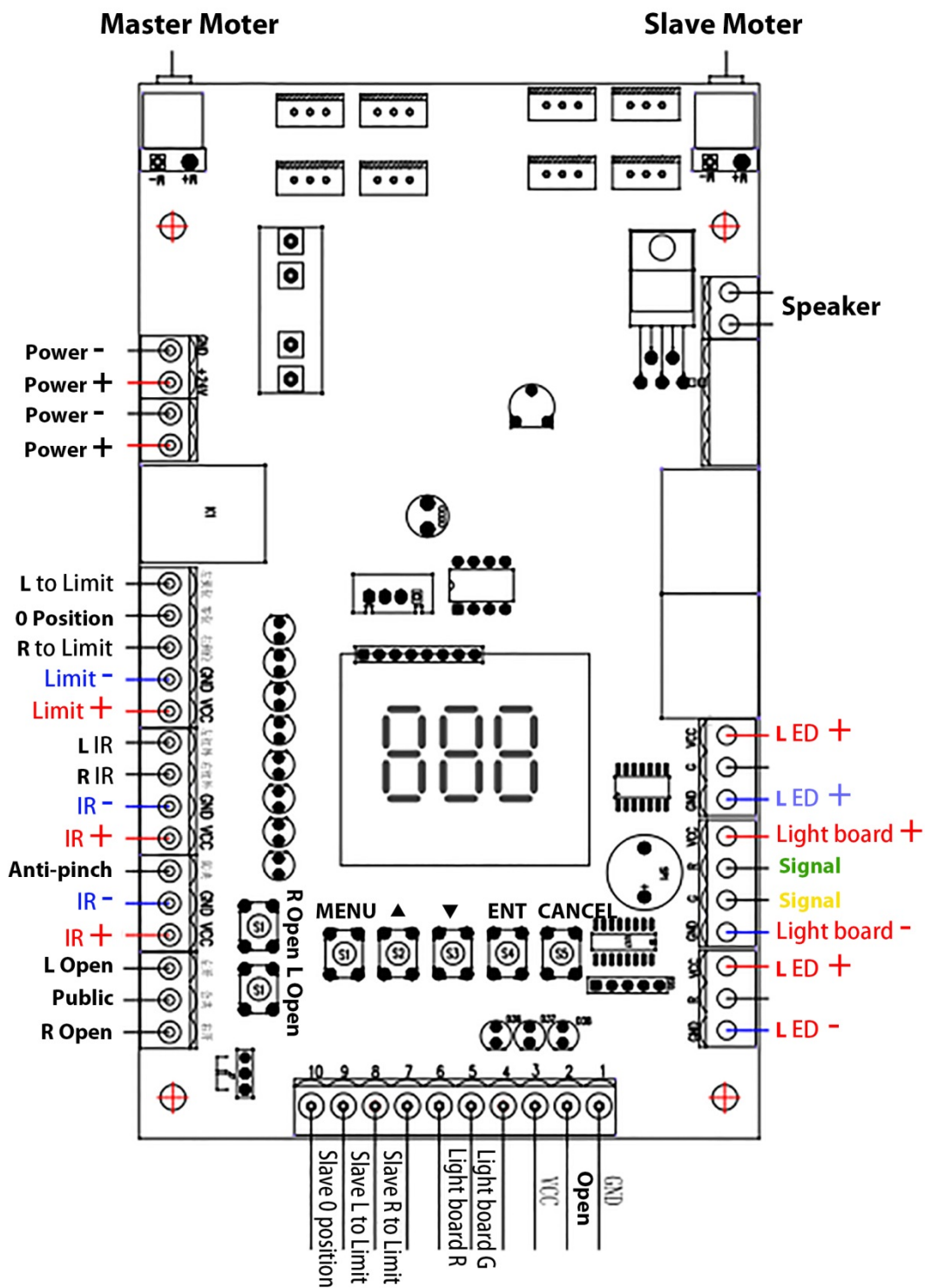
Display E-1 Master Motor Hall Error Adjustment L-15 to 1

Display E-2 Slave Motor Hall Error Adjustment L-16 to 1

| //---Door status |                        |  |
|------------------|------------------------|--|
| <b>#define</b>   | Door_Close             | 0 //Close to Limit                     |
| <b>#define</b>   | Door_AOpen             | 1 //AOpen to Limit                     |
| <b>#define</b>   | Door_BOpen             | 2 //BOpen to Limit                     |
| <b>#define</b>   | Door_AOpening          | 3 //AOpening                           |
| <b>#define</b>   | Door_BOpening          | 4 //BOpening                           |
| <b>#define</b>   | Door_ACloseing         | 5 //AClosing                           |
| <b>#define</b>   | Door_BCloseing         | 6 //BClosing                           |
| <b>#define</b>   | Door_Init              | 7 //Initialize                         |
| <b>#define</b>   | Door_SC                | 8 //Brake                              |
| <b>#define</b>   | Door_Find_ZERO         | 9 //Looking for zero                   |
| <b>#define</b>   | Door_emergency_stop    | 10// Emergency stop condition          |
| <b>#define</b>   | Door_A_Close_Emer_Stop | 11//A In emergency                     |
| <b>#define</b>   | Door_B_Close_Emer_Stop | 12//B In emergency                     |
| <b>#define</b>   | Door_A_Opening_Stall   | 13// Open the door A in the plug turn  |
| <b>#define</b>   | Door_B_Opening_Stall   | 14 // Open the door B in the plug turn |
| <b>#define</b>   | Door_A_Closeing_Stall  | 15//Close the door A in the plug turn  |
| <b>#define</b>   | Door_B_Closeing_Stall  | 16//Close the door B in the plug turn  |
| <b>#define</b>   | Door_Emer_After_Close  | 17                                     |

## 9 Wiring Diagram

Check circuit according to the following wiring diagram:



## 10 Warranty Coverage

Damage that occurs during the normal use of the product is covered by the warranty and enjoys warranty service.

If the damage caused by the following circumstances, belong to the non-warranty scope.

1. Damage caused by incorrect operation in violation of the operating procedures.
2. Damage caused by unauthorized maintenance of the product.
3. Abnormalities and damage caused by the use of very poor conditions and the use of the environment



ZKTeco Industrial Park, No. 32, Industrial Road,

Tangxia Town, Dongguan, China.

Phone : +86 769 - 82109991

Fax : +86 755 - 89602394

[www.zkteco.com](http://www.zkteco.com)

