



User Manual

KR602E

Version: 1.0

Date: November 2020

Table of Contents

1. Overview.....	1
2. Features.....	1
3. Wire Function Description.....	2
4. Specifications.....	2
Limit Parameters.....	2
5. Wiegand Connections.....	3
6. Precautions.....	3

1. Overview

KR602E is a non-contact RFIC card reader . It adopts the high-performance RF card reader circuit designed by ZKTeco. It is characterized by the high integration degree, strong anti-interference capability, compact size, stable performance, and cost effectiveness. KR602E provides the Wiegand 26 communication interface, and is applicable to various RF identification fields, such as the access control, attendance, charging, anti-theft, and patrol systems.

2. Features

- The card reader is equipped with a card-reading antenna that works at 125 KHz.
- The effective distance ranges from 0 to 5cm, depending on the working environment and card type.
- The data receiving time is less than 80ms within the effective distance.
- The card reader adopts the single +12 VDC power supply, and the operating current is less than 100mA.
- The card reader is produced using the fully closed rubber injecting operation to achieve the waterproof and moisture-proof effects.
- The effective distance is associated with the voltage of the power supply, used ID cards, and operating environment.

3. Wire Function Description

Red wire: VCC; +12V

Black wire: GND

Green wire: Wiegand D0

White wire: Wiegand D1

Grey wire: Green LED

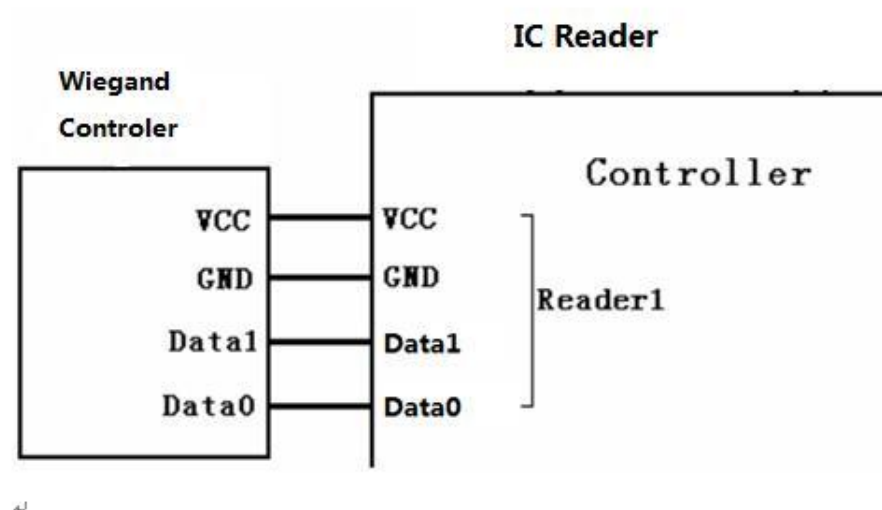
Purple wire: Beeper

4. Specifications

Limit Parameters

Item	Value
Power	DC 12V
Operating temperature	-20°C to 65°C
Operating humidity	10% to 90%

5. Wiegand Connections



6. Precautions

1. The operating frequency of the card reader is 125KHz.
2. To prevent emission magnetic fields of card readers from affecting each other, the installation distance between every two card readers must be greater than 5 cm.

FCC Warning:

Any Changes or modifications not expressly approved by the party responsible for compliance could void the user's authority to operate the equipment.

Note: This equipment has been tested and found to comply with the limits for a Class B digital device, pursuant to part 15 of the FCC Rules. These limits are designed to provide reasonable protection against harmful interference in a residential installation. This equipment generates uses and can radiate radio frequency energy and, if not installed and used in accordance with the instructions, may cause harmful interference to radio communications. However, there is no guarantee that interference will not occur in a particular installation. If this equipment does cause harmful interference to radio or television reception, which can be determined by turning the equipment off and on, the user is encouraged to try to correct the interference by one or more of the following measures:

- Reorient or relocate the receiving antenna.
- Increase the separation between the equipment and receiver.
- Connect the equipment into an outlet on a circuit different from that to which the receiver is connected.
- Consult the dealer or an experienced radio/TV technician for help.

This device complies with part 15 of the FCC Rules. Operation is subject to the following two conditions: (1) This device may not cause harmful interference, and (2) this device must accept any interference received, including interference that may cause undesired operation.

This equipment complies with FCC radiation exposure limits set forth for an uncontrolled environment. This equipment should be installed and operated with minimum distance 20cm between the radiator & your body.